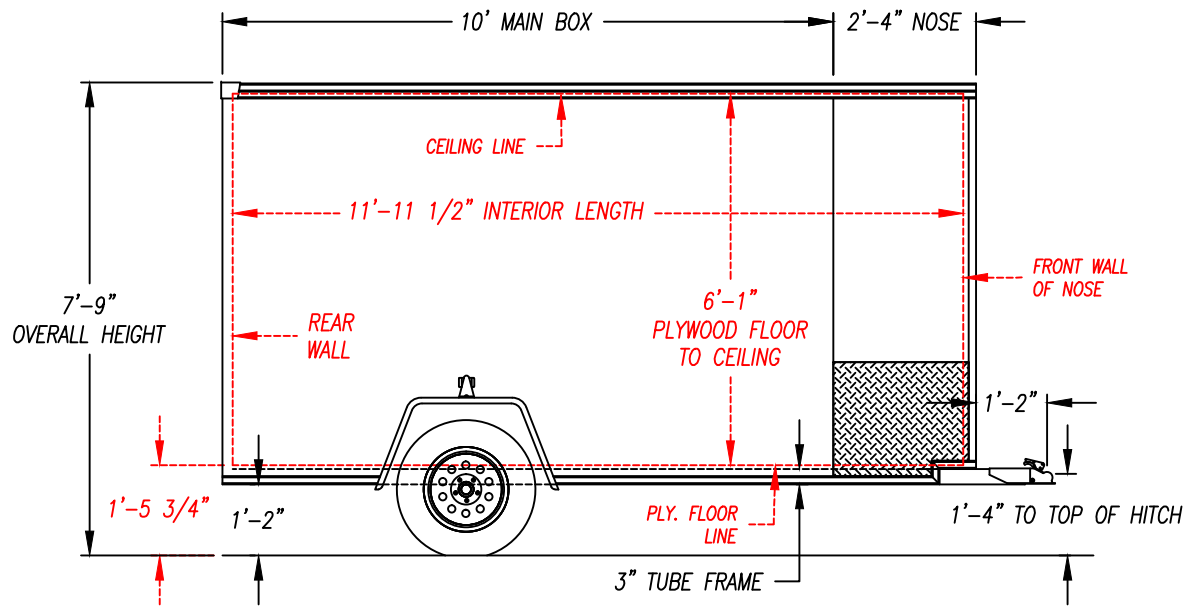


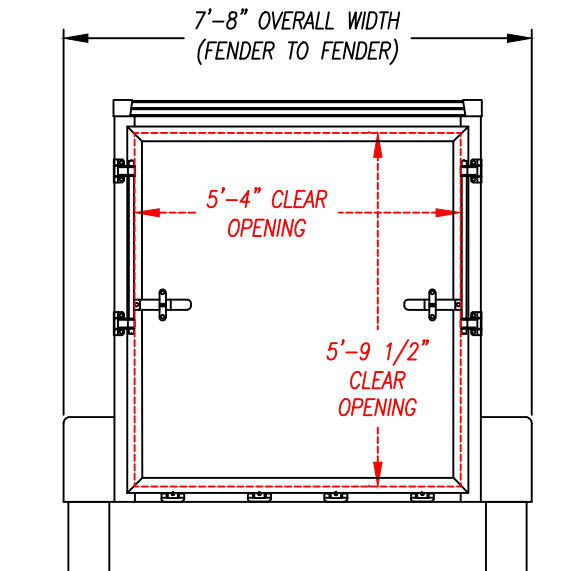
NOTE: ALL DIMENSIONS ARE NOMINAL & SUBJECT TO CHANGE

SIDE VIEW

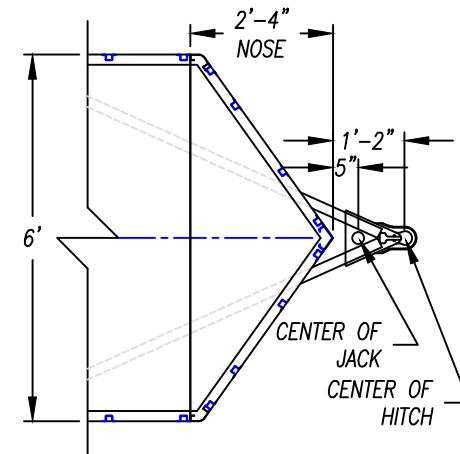


NOTE: ALL DIMENSIONS FROM GROUND ARE APPROX. & BASED ON 205/75 15\"/>

REAR VIEW



TOP VIEW - HITCH AREA



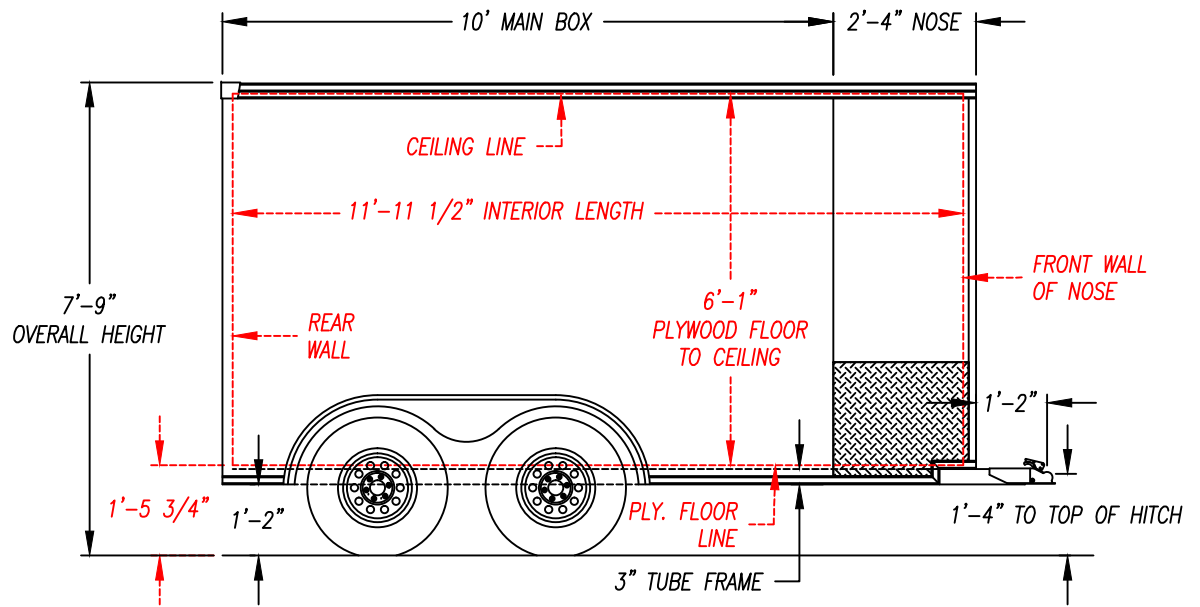
DESCRIPTION - XLMTV-610SA

DRAWN BY - JAH DATE - 6/3/19

THIS DOCUMENT AND THE CONCEPTS INCORPORATED IS THE PROPERTY OF UNITED TRAILERS INC. AND IS NOT TO BE USED IN WHOLE OR IN PART FOR ANY OTHER PROJECT WITHOUT WRITTEN PERMISSION OF UNITED TRAILERS INC.

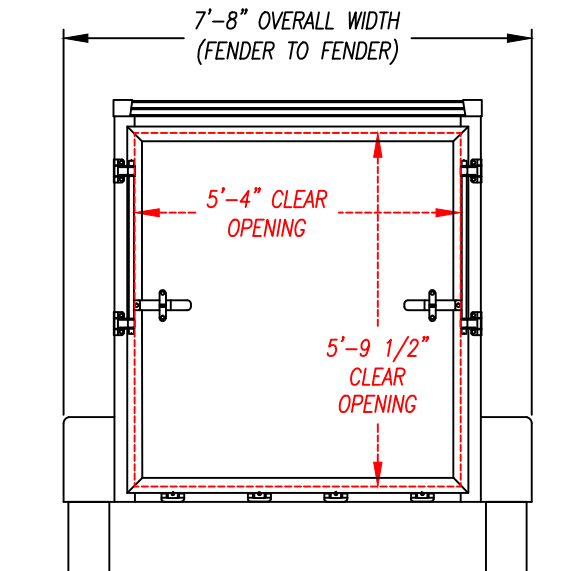
NOTE: ALL DIMENSIONS ARE NOMINAL & SUBJECT TO CHANGE

SIDE VIEW

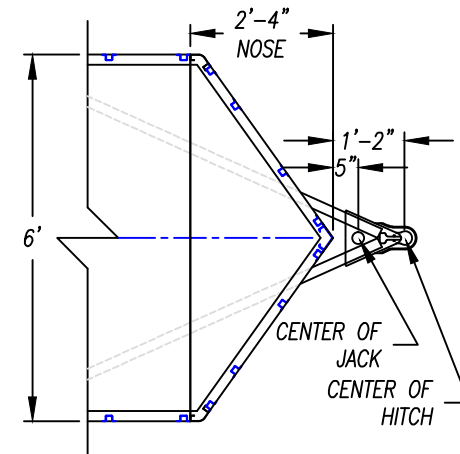


NOTE: ALL DIMENSIONS FROM GROUND ARE APPROX. & BASED ON 205/75 15" TIRES & RIMS

REAR VIEW



TOP VIEW - HITCH AREA



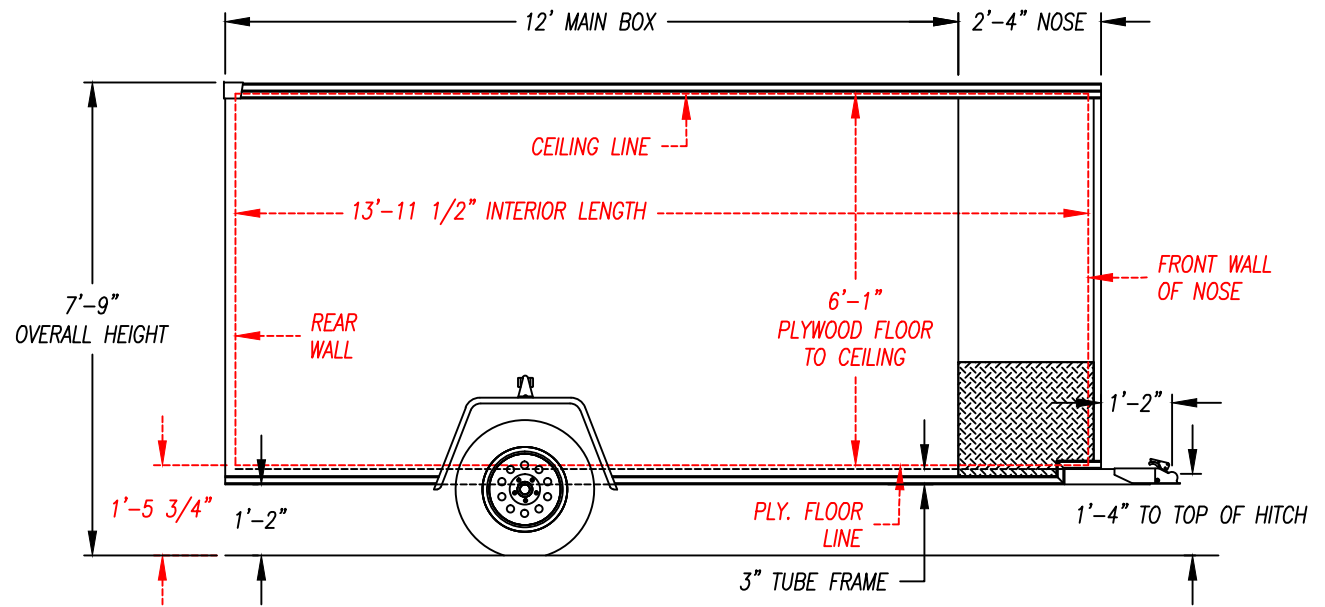
DESCRIPTION - XLMTV-610TA

DRAWN BY - JAH DATE - 6/3/19

THIS DOCUMENT AND THE CONCEPTS INCORPORATED IS THE PROPERTY OF UNITED TRAILERS INC. AND IS NOT TO BE USED IN WHOLE OR IN PART FOR ANY OTHER PROJECT WITHOUT WRITTEN PERMISSION OF UNITED TRAILERS INC.

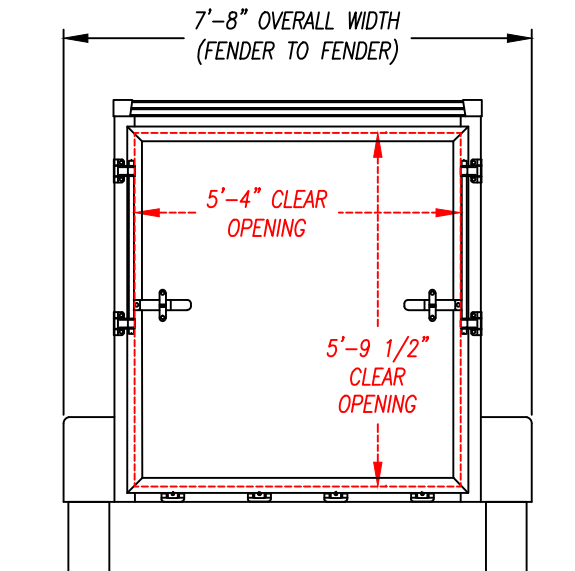
NOTE: ALL DIMENSIONS ARE NOMINAL & SUBJECT TO CHANGE

SIDE VIEW

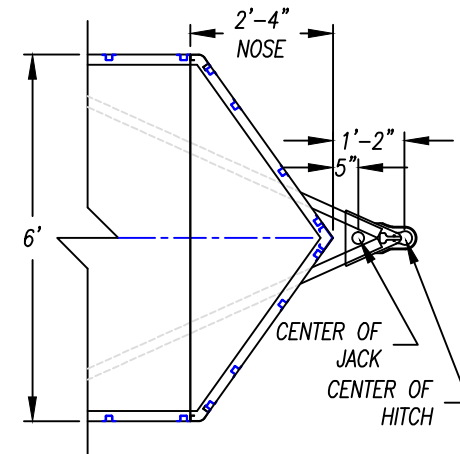


NOTE: ALL DIMENSIONS FROM GROUND ARE APPROX. & BASED ON 205/75 15" TIRES & RIMS

REAR VIEW



TOP VIEW - HITCH AREA



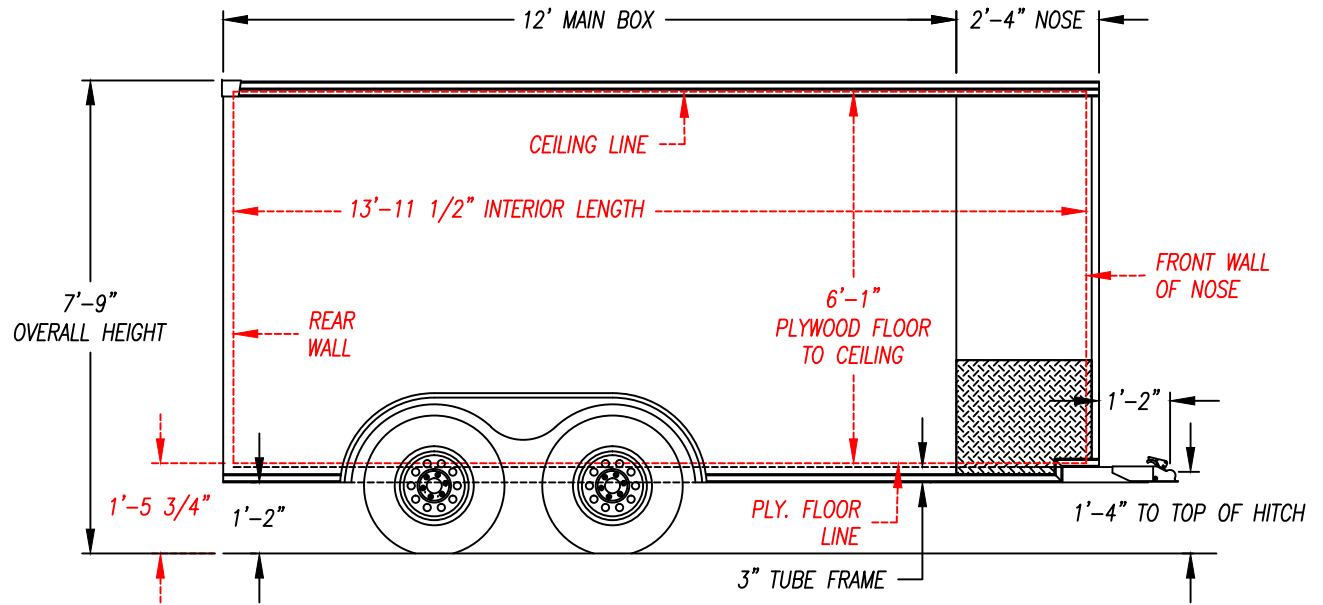
DESCRIPTION - XLMTV-612SA

DRAWN BY - JAH DATE - 6/3/19

THIS DOCUMENT AND THE CONCEPTS INCORPORATED IS THE PROPERTY OF UNITED TRAILERS INC. AND IS NOT TO BE USED IN WHOLE OR IN PART FOR ANY OTHER PROJECT WITHOUT WRITTEN PERMISSION OF UNITED TRAILERS INC.

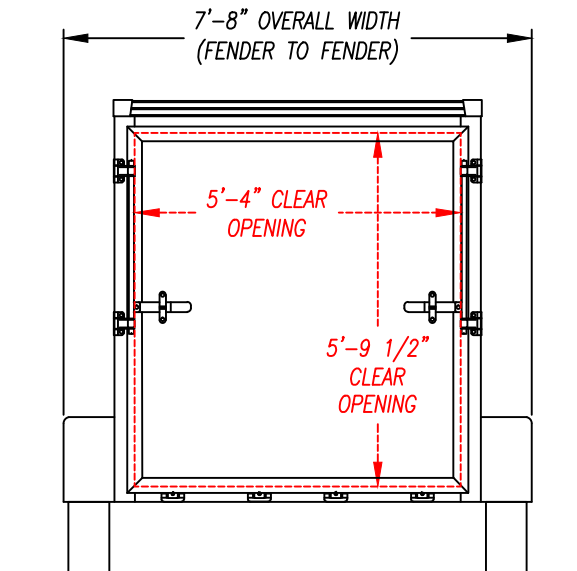
NOTE: ALL DIMENSIONS ARE NOMINAL & SUBJECT TO CHANGE

SIDE VIEW

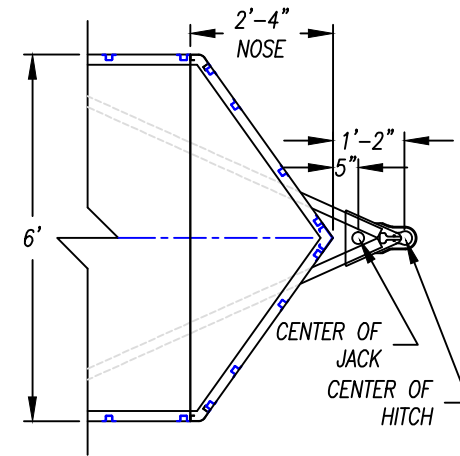


NOTE: ALL DIMENSIONS FROM GROUND ARE APPROX. & BASED ON 205/75 15" TIRES & RIMS

REAR VIEW



TOP VIEW - HITCH AREA



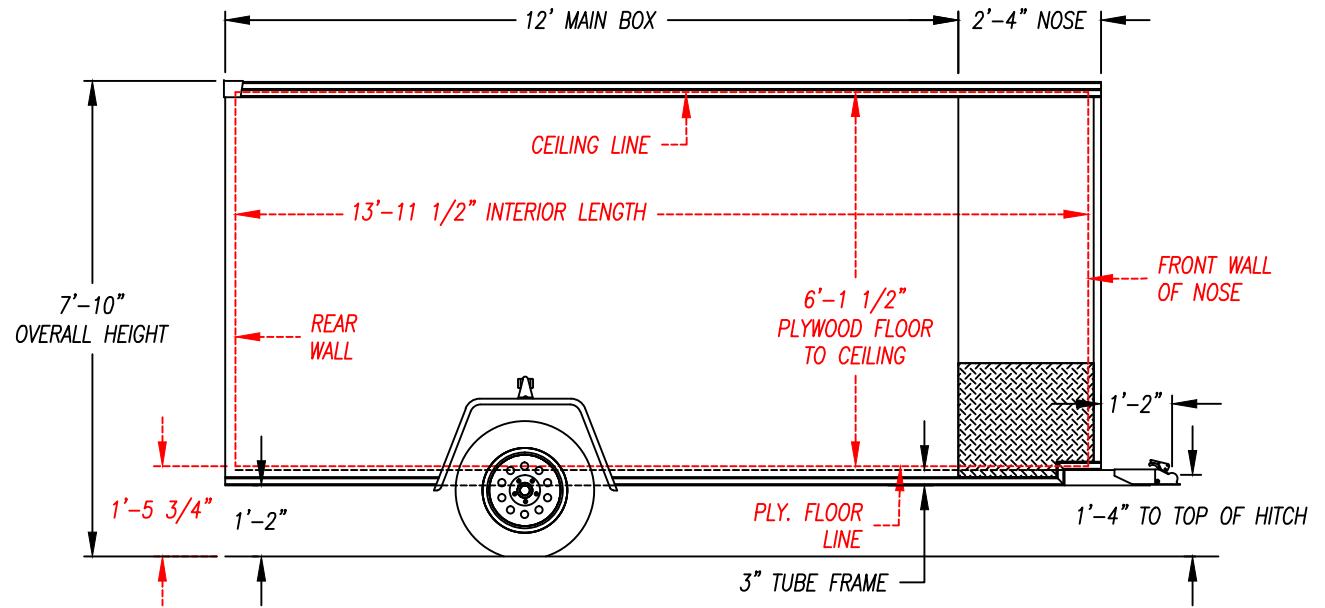
DESCRIPTION - XLMTV-612TA

DRAWN BY - JAH DATE - 6/3/19

THIS DOCUMENT AND THE CONCEPTS INCORPORATED IS THE PROPERTY OF UNITED TRAILERS INC. AND IS NOT TO BE USED IN WHOLE OR IN PART FOR ANY OTHER PROJECT WITHOUT WRITTEN PERMISSION OF UNITED TRAILERS INC.

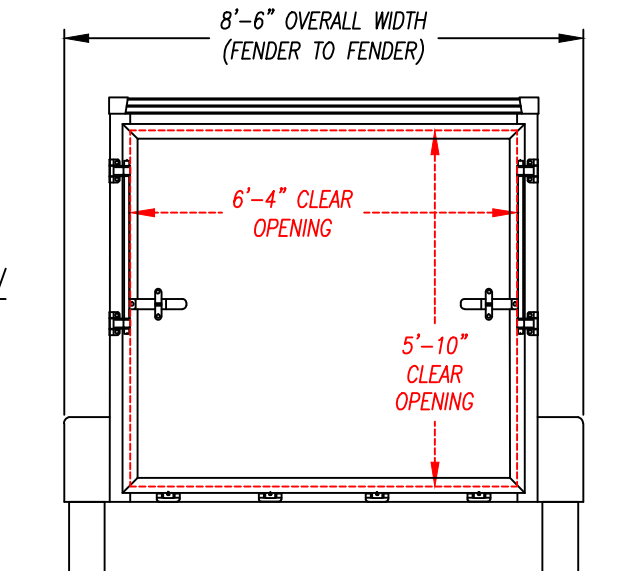
NOTE: ALL DIMENSIONS ARE NOMINAL & SUBJECT TO CHANGE

SIDE VIEW

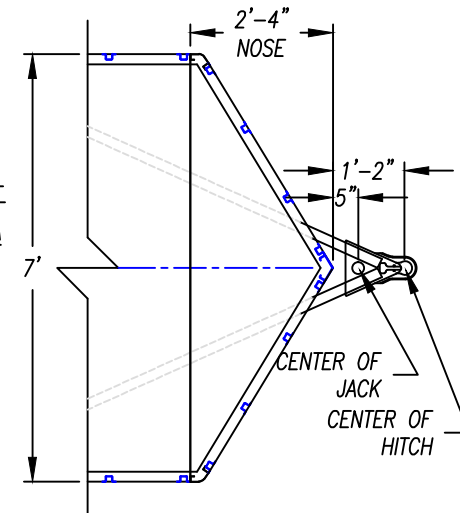


NOTE: ALL DIMENSIONS FROM GROUND ARE APPROX. & BASED ON 205/75 15" TIRES & RIMS

REAR VIEW



TOP VIEW - HITCH AREA



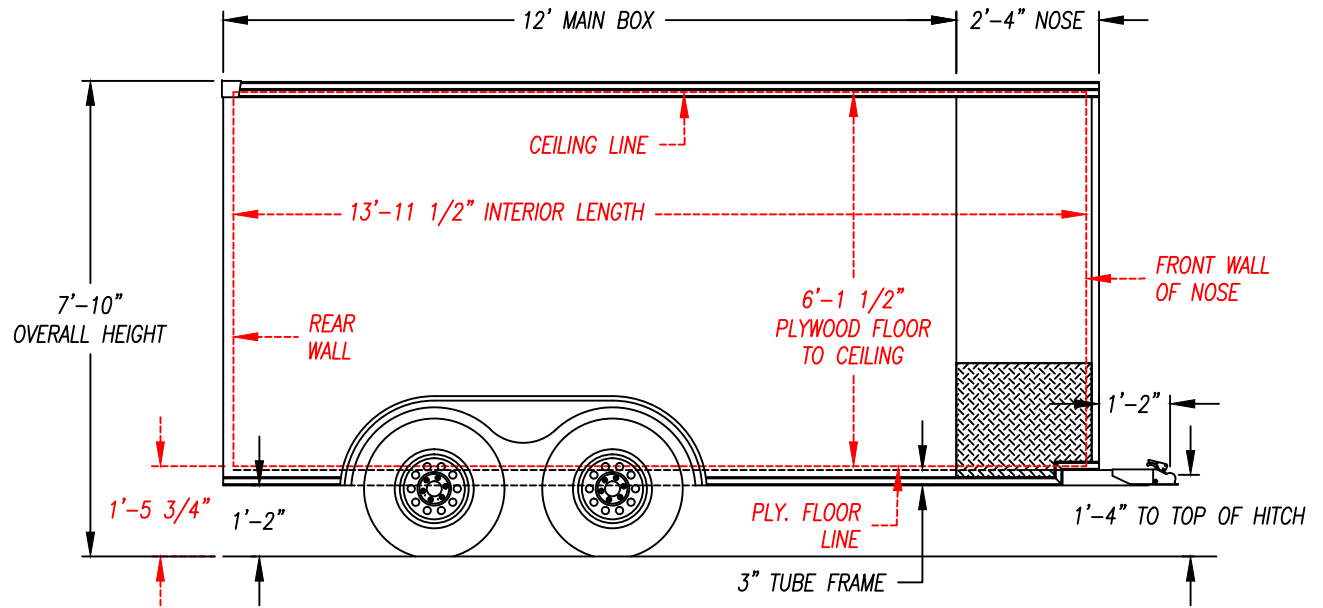
DESCRIPTION - XLMTV-712SA

DRAWN BY - JAH DATE - 6/3/19

THIS DOCUMENT AND THE CONCEPTS INCORPORATED IS THE PROPERTY OF UNITED TRAILERS INC. AND IS NOT TO BE USED IN WHOLE OR IN PART FOR ANY OTHER PROJECT WITHOUT WRITTEN PERMISSION OF UNITED TRAILERS INC.

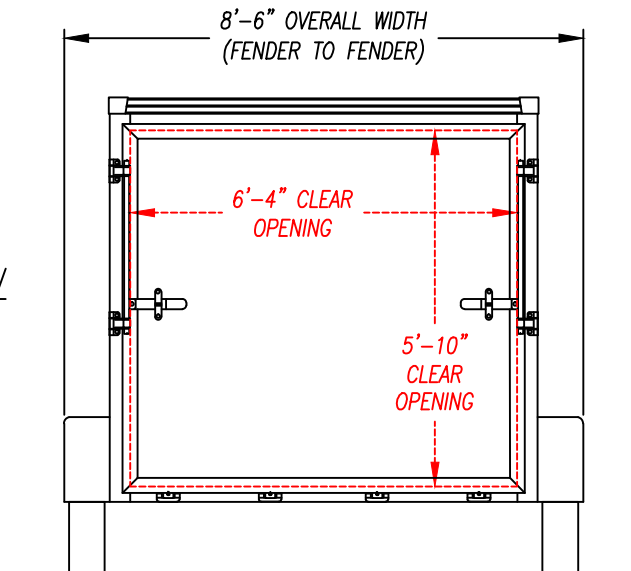
NOTE: ALL DIMENSIONS ARE NOMINAL & SUBJECT TO CHANGE

SIDE VIEW

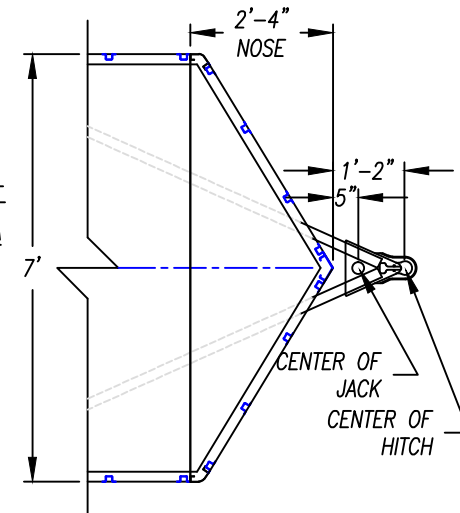


NOTE: ALL DIMENSIONS FROM GROUND ARE APPROX. & BASED ON 205/75 15" TIRES & RIMS

REAR VIEW



TOP VIEW - HITCH AREA



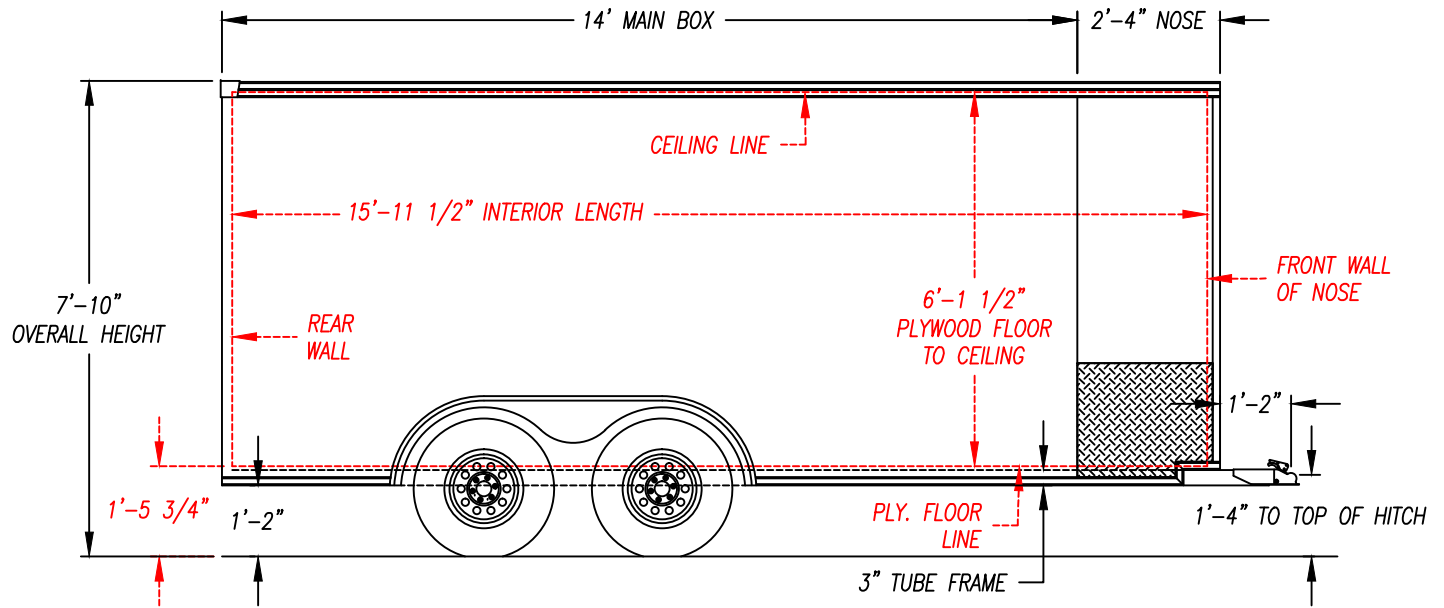
DESCRIPTION - XLMTV-712TA

DRAWN BY - JAH DATE - 6/3/19

THIS DOCUMENT AND THE CONCEPTS INCORPORATED IS THE PROPERTY OF UNITED TRAILERS INC. AND IS NOT TO BE USED IN WHOLE OR IN PART FOR ANY OTHER PROJECT WITHOUT WRITTEN PERMISSION OF UNITED TRAILERS INC.

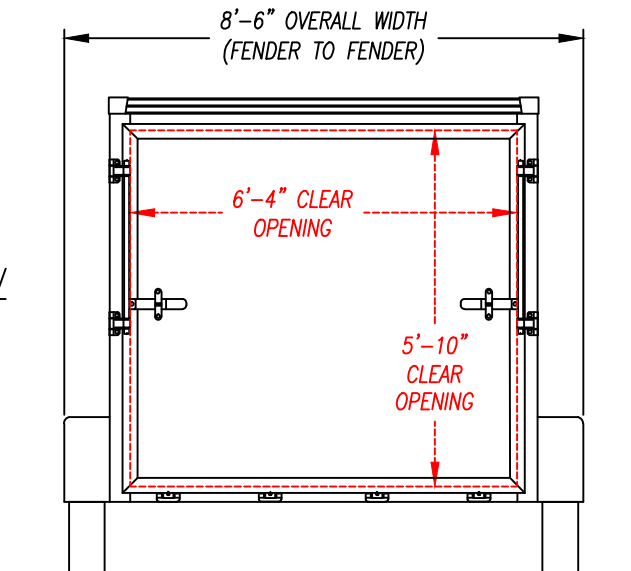
NOTE: ALL DIMENSIONS ARE NOMINAL & SUBJECT TO CHANGE

SIDE VIEW

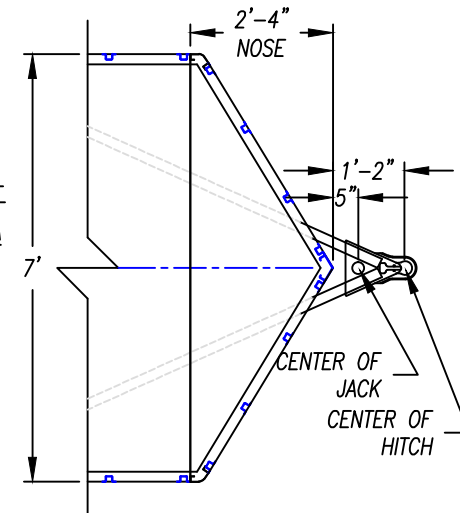


NOTE: ALL DIMENSIONS FROM GROUND ARE APPROX. & BASED ON 205/75 15" TIRES & RIMS

REAR VIEW



TOP VIEW - HITCH AREA



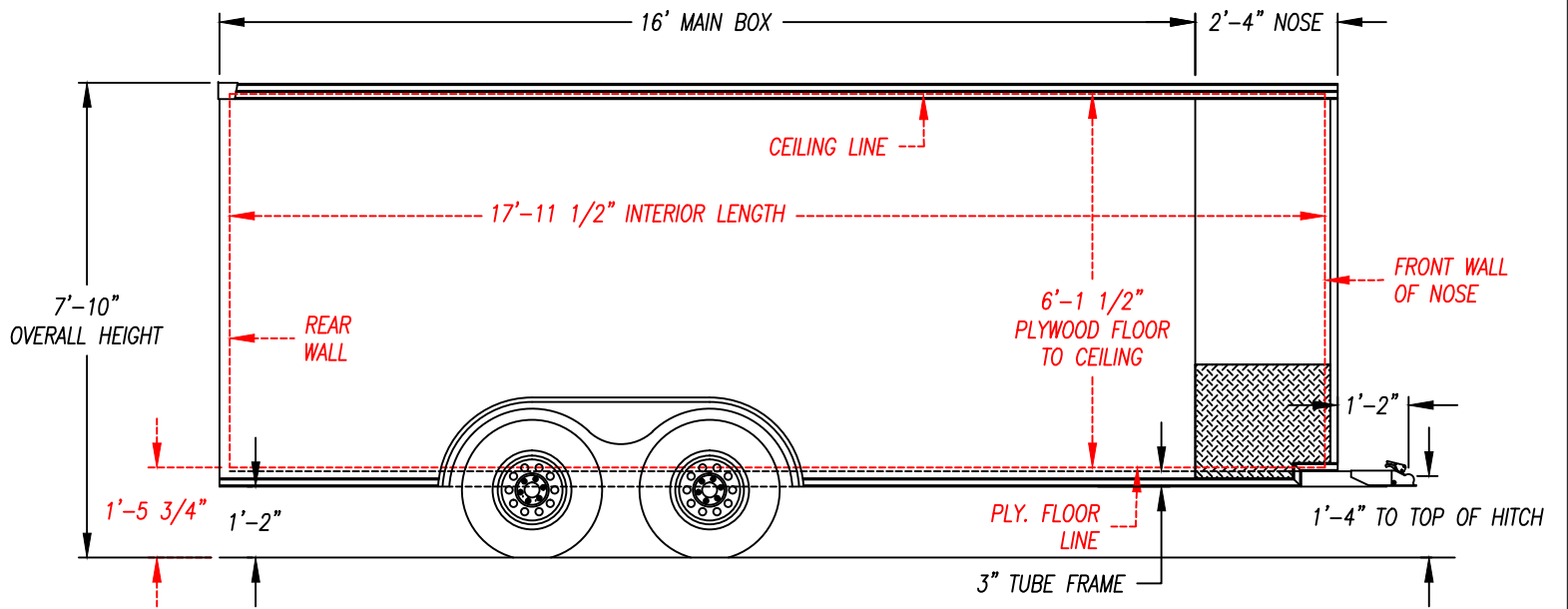
DESCRIPTION - XLMTV-714TA

DRAWN BY - JAH DATE - 6/3/19

THIS DOCUMENT AND THE CONCEPTS INCORPORATED IS THE PROPERTY OF UNITED TRAILERS INC. AND IS NOT TO BE USED IN WHOLE OR IN PART FOR ANY OTHER PROJECT WITHOUT WRITTEN PERMISSION OF UNITED TRAILERS INC.

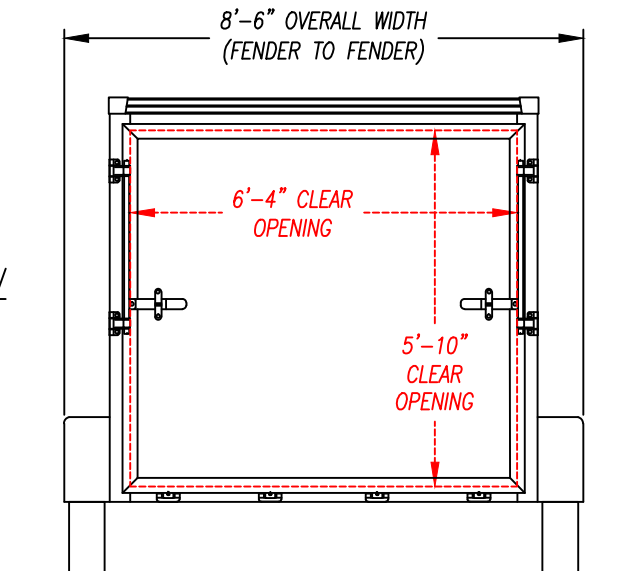
NOTE: ALL DIMENSIONS ARE NOMINAL & SUBJECT TO CHANGE

SIDE VIEW

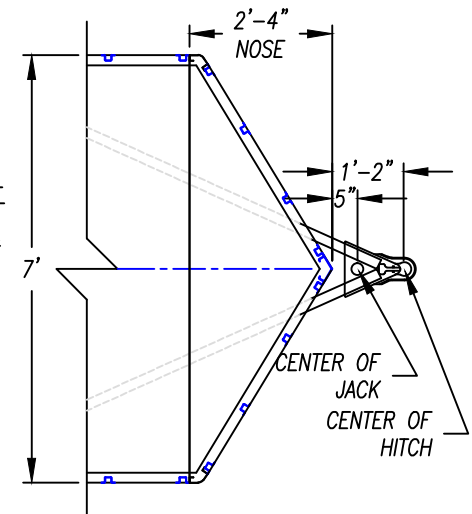


NOTE: ALL DIMENSIONS FROM GROUND ARE APPROX. & BASED ON 205/75 15" TIRES & RIMS

REAR VIEW



TOP VIEW - HITCH AREA



DESCRIPTION - XLMTV-716TA

DRAWN BY - JAH DATE - 6/3/19

THIS DOCUMENT AND THE CONCEPTS INCORPORATED IS THE PROPERTY OF UNITED TRAILERS INC. AND IS NOT TO BE USED IN WHOLE OR IN PART FOR ANY OTHER PROJECT WITHOUT WRITTEN PERMISSION OF UNITED TRAILERS INC.