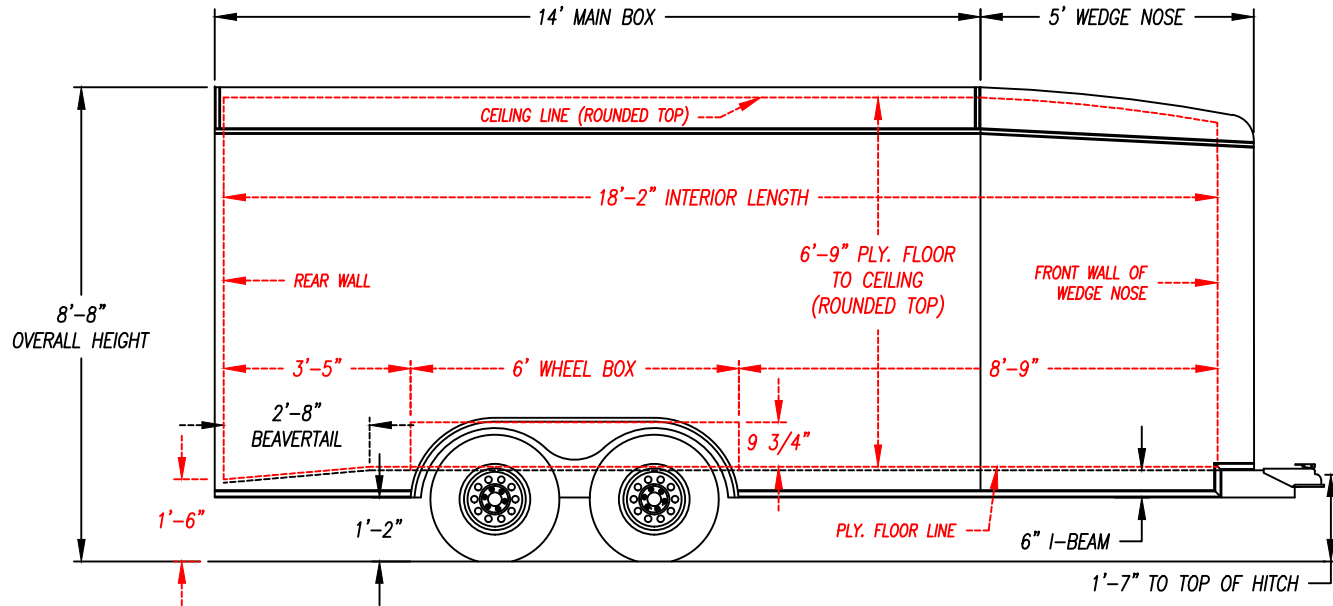


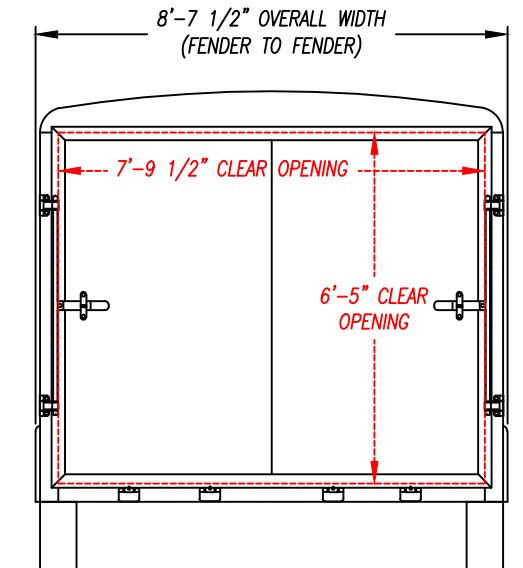
NOTE: ALL DIMENSIONS ARE  
NOMINAL & SUBJECT TO CHANGE

SIDE VIEW

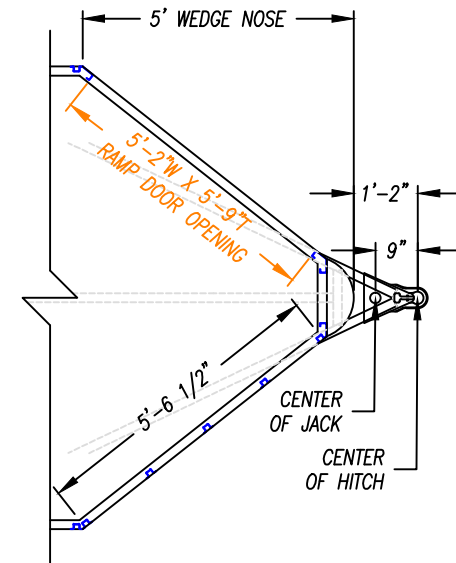


NOTE: ALL DIMENSIONS FROM  
GROUND ARE APPROX. & BASED  
ON 225/75 15" TIRES & RIMS

REAR VIEW



TOP VIEW -  
HITCH AREA



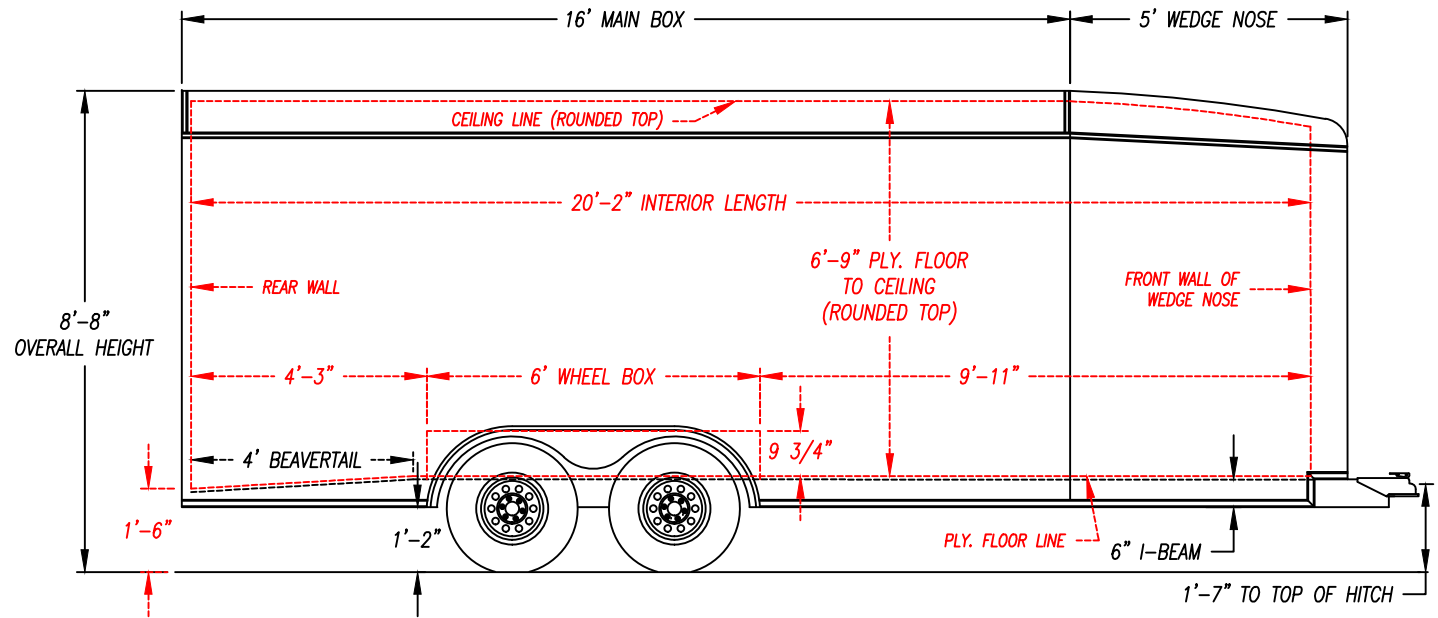
DESCRIPTION - UC-8.519TA

DRAWN BY - JAH DATE - 4/10/19

THIS DOCUMENT AND THE CONCEPTS INCORPORATED IS THE PROPERTY OF UNITED TRAILERS INC. AND IS NOT TO BE USED IN WHOLE OR IN PART FOR ANY OTHER PROJECT WITHOUT WRITTEN PERMISSION OF UNITED TRAILERS INC.

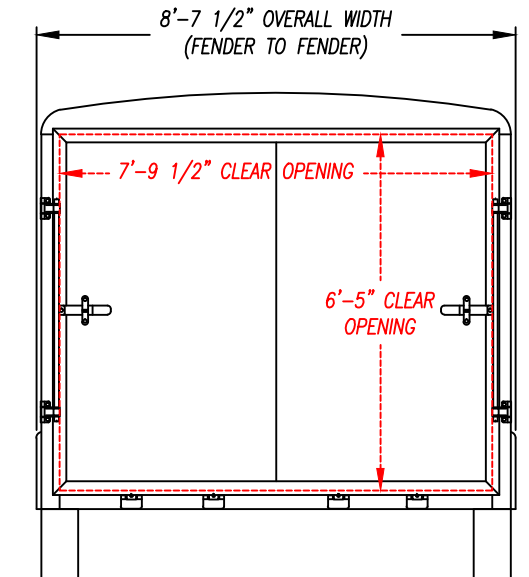
NOTE: ALL DIMENSIONS ARE  
NOMINAL & SUBJECT TO CHANGE

SIDE VIEW

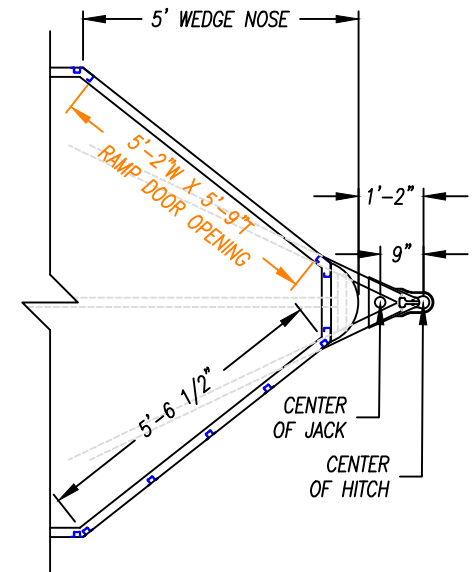


NOTE: ALL DIMENSIONS FROM  
GROUND ARE APPROX. & BASED  
ON 225/75 15" TIRES & RIMS

REAR VIEW



TOP VIEW -  
HITCH AREA



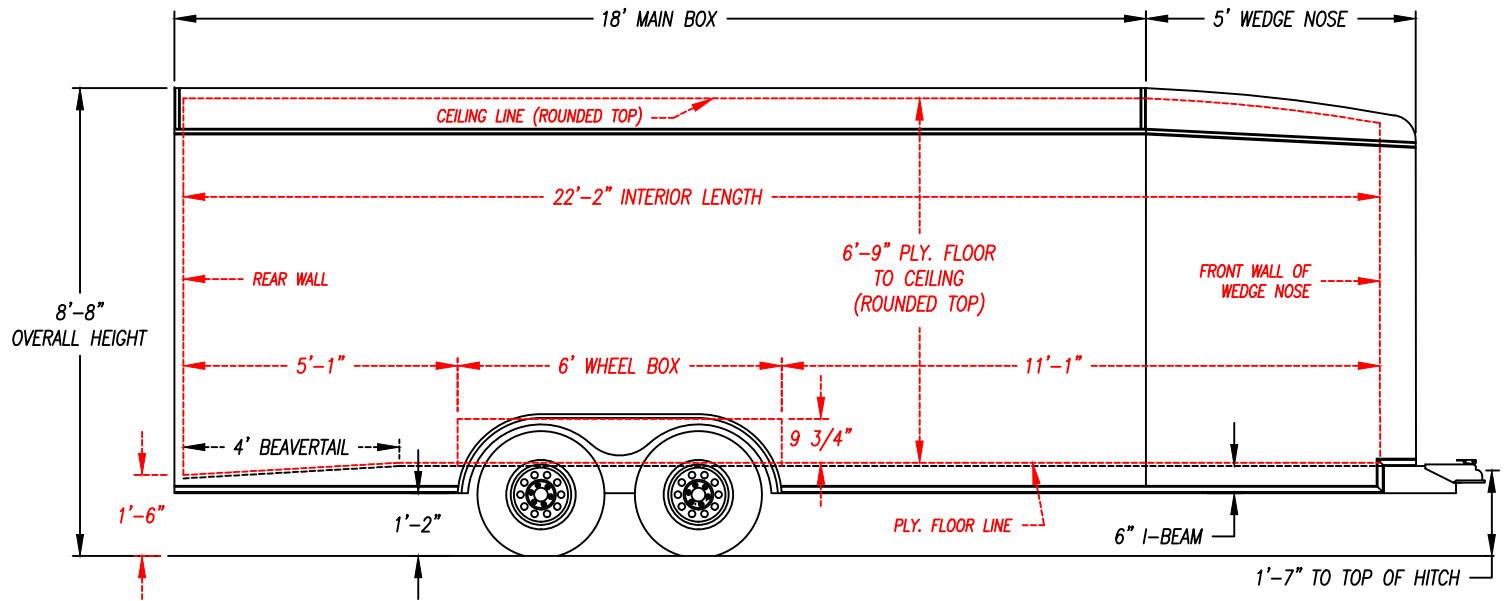
DESCRIPTION - UC-8.521TA

DRAWN BY - JAH DATE - 4/10/19

THIS DOCUMENT AND THE CONCEPTS INCORPORATED IS THE PROPERTY OF UNITED TRAILERS INC. AND IS NOT TO BE USED IN WHOLE OR IN PART FOR ANY OTHER PROJECT WITHOUT WRITTEN PERMISSION OF UNITED TRAILERS INC.

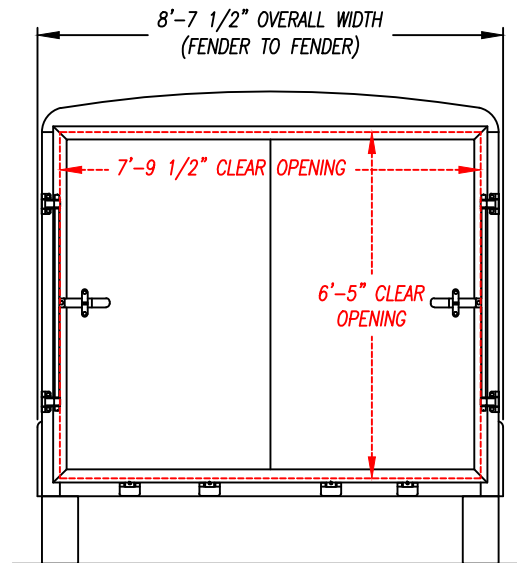
NOTE: ALL DIMENSIONS ARE  
NOMINAL & SUBJECT TO CHANGE

SIDE VIEW

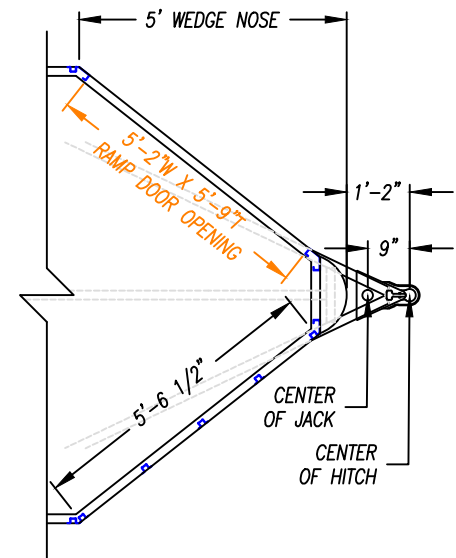


NOTE: ALL DIMENSIONS FROM  
GROUND ARE APPROX. & BASED  
ON 225/75 15" TIRES & RIMS

REAR VIEW



TOP VIEW -  
HITCH AREA



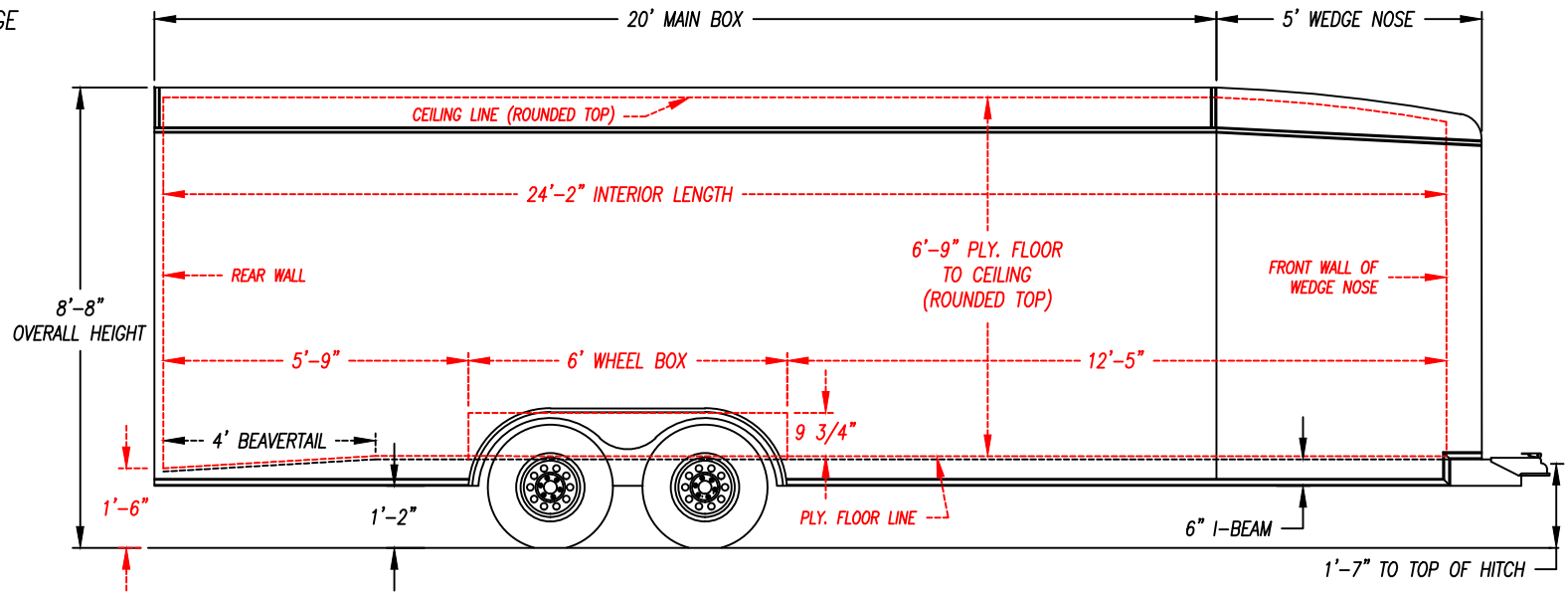
DESCRIPTION - UC-8.523TA

DRAWN BY - JAH DATE - 4/10/19

THIS DOCUMENT AND THE CONCEPTS INCORPORATED IS THE PROPERTY OF UNITED TRAILERS INC. AND IS NOT TO BE USED IN WHOLE OR IN PART FOR ANY OTHER PROJECT WITHOUT WRITTEN PERMISSION OF UNITED TRAILERS INC.

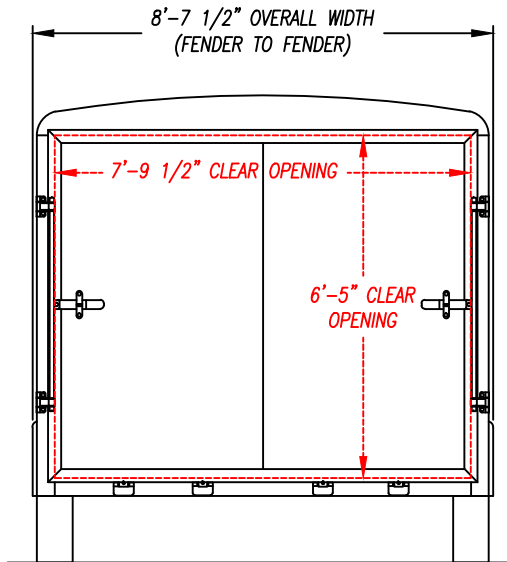
NOTE: ALL DIMENSIONS ARE  
NOMINAL & SUBJECT TO CHANGE

SIDE VIEW

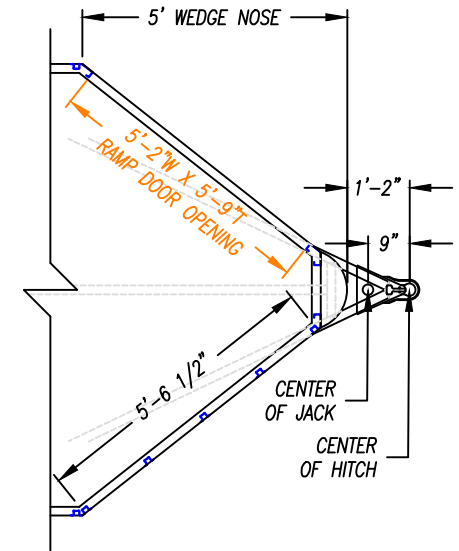


NOTE: ALL DIMENSIONS FROM  
GROUND ARE APPROX. & BASED  
ON 225/75 15" TIRES & RIMS

REAR VIEW



TOP VIEW -  
HITCH AREA



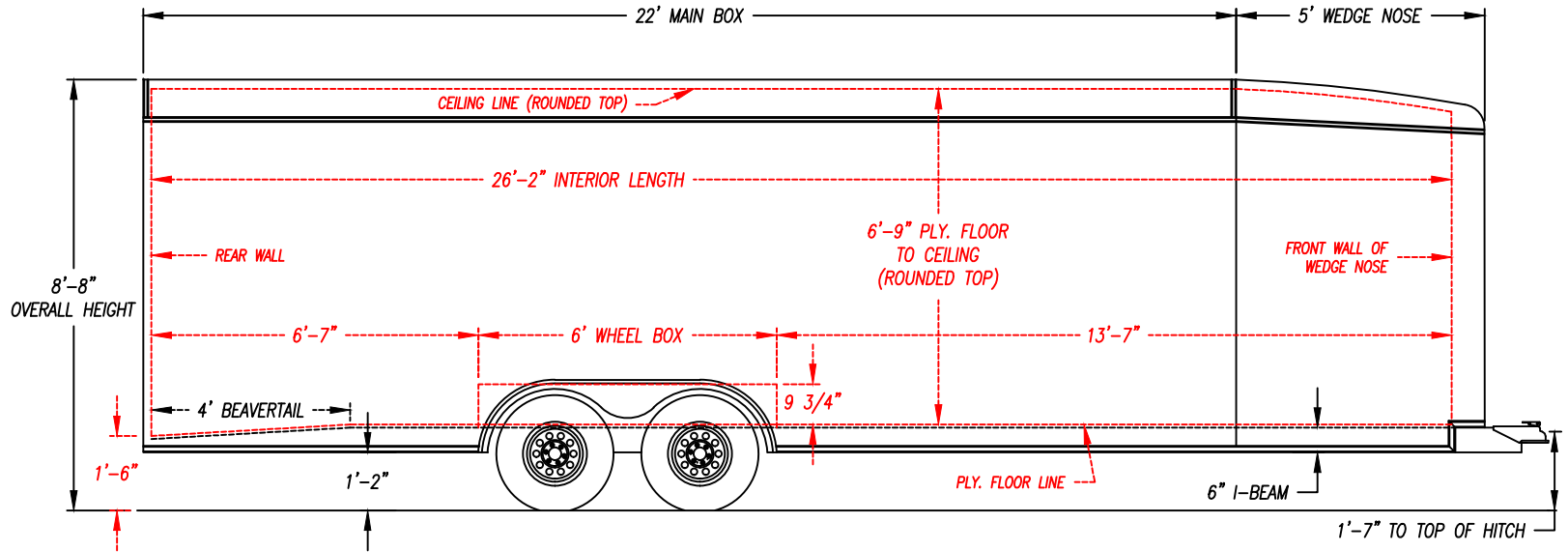
DESCRIPTION - UC-8.525TA

DRAWN BY - JAH DATE - 4/10/19

THIS DOCUMENT AND THE CONCEPTS INCORPORATED IS THE PROPERTY OF UNITED TRAILERS INC. AND IS NOT TO BE USED IN WHOLE OR IN PART FOR ANY OTHER PROJECT WITHOUT WRITTEN PERMISSION OF UNITED TRAILERS INC.

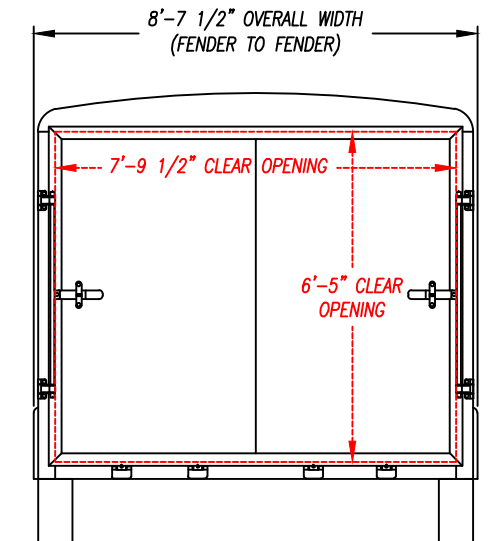
NOTE: ALL DIMENSIONS ARE  
NOMINAL & SUBJECT TO CHANGE

SIDE VIEW

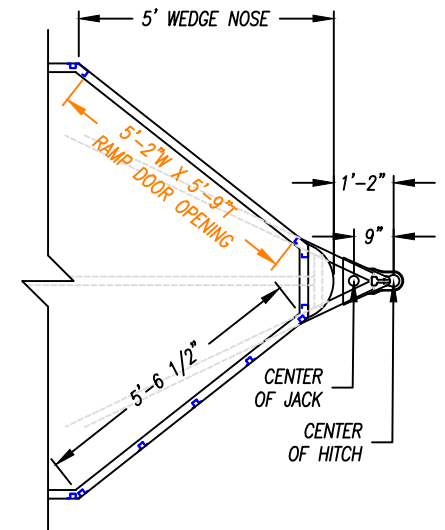


NOTE: ALL DIMENSIONS FROM  
GROUND ARE APPROX. & BASED  
ON 225/75 15" TIRES & RIMS

REAR VIEW



TOP VIEW -  
HITCH AREA



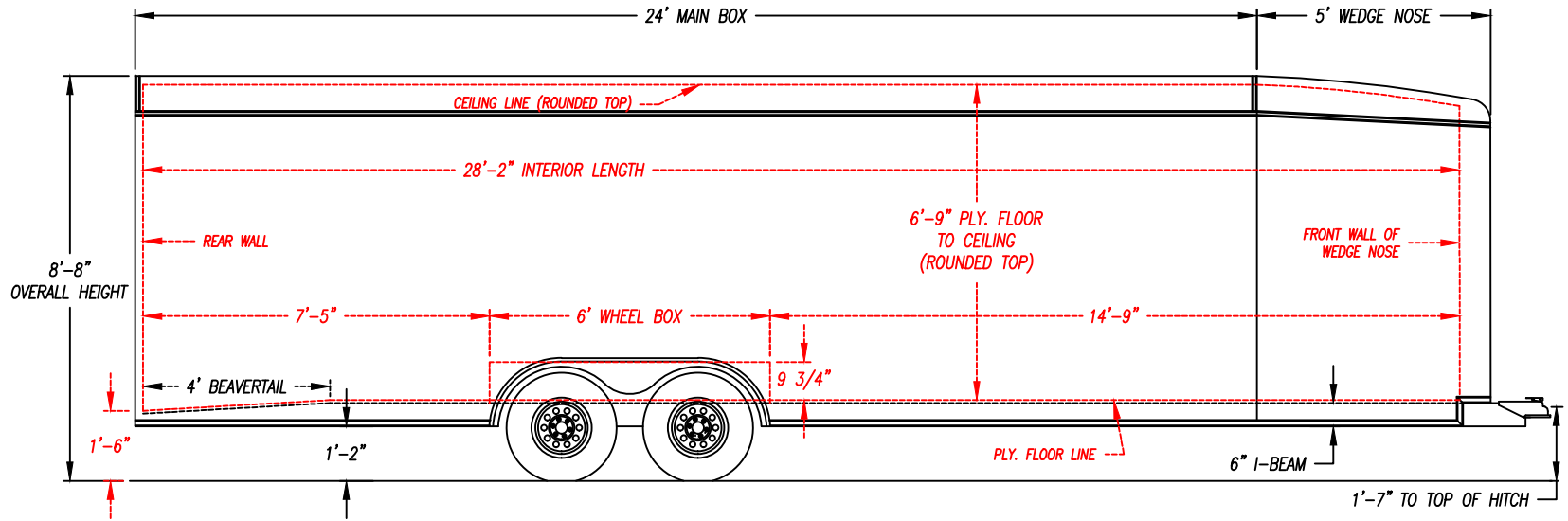
DESCRIPTION - UC-8.527TA

DRAWN BY - JAH DATE - 4/10/19

THIS DOCUMENT AND THE CONCEPTS INCORPORATED IS THE PROPERTY OF UNITED TRAILERS INC. AND IS NOT TO BE USED IN WHOLE OR IN PART FOR ANY OTHER PROJECT WITHOUT WRITTEN PERMISSION OF UNITED TRAILERS INC.

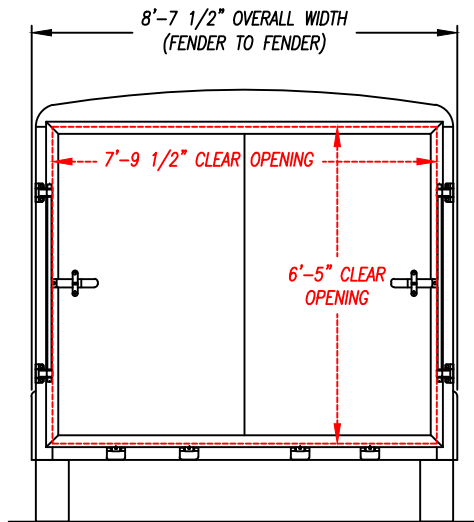
NOTE: ALL DIMENSIONS ARE  
NOMINAL & SUBJECT TO CHANGE

SIDE VIEW

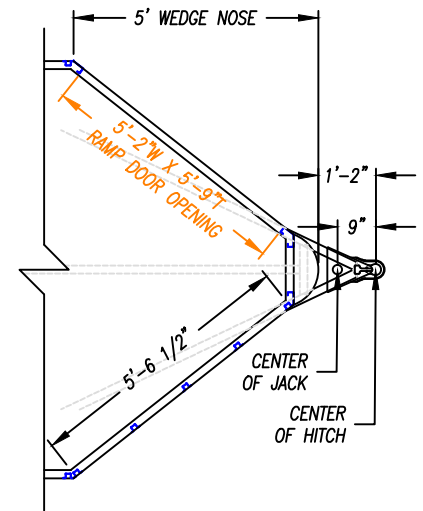


NOTE: ALL DIMENSIONS FROM  
GROUND ARE APPROX. & BASED  
ON 225/75 15" TIRES & RIMS

REAR VIEW



TOP VIEW -  
HITCH AREA



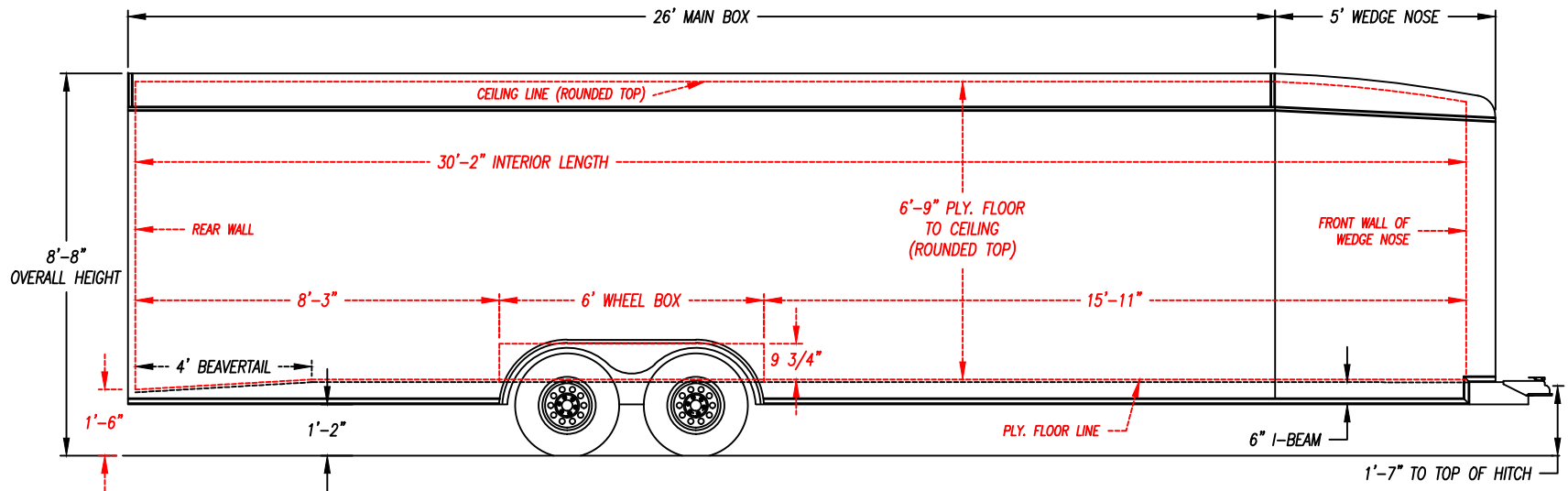
DESCRIPTION - UC-8.529TA

DRAWN BY - JAH DATE - 4/10/19

THIS DOCUMENT AND THE CONCEPTS INCORPORATED IS THE PROPERTY OF UNITED TRAILERS INC. AND IS NOT TO BE USED IN WHOLE OR IN PART FOR ANY OTHER PROJECT WITHOUT WRITTEN PERMISSION OF UNITED TRAILERS INC.

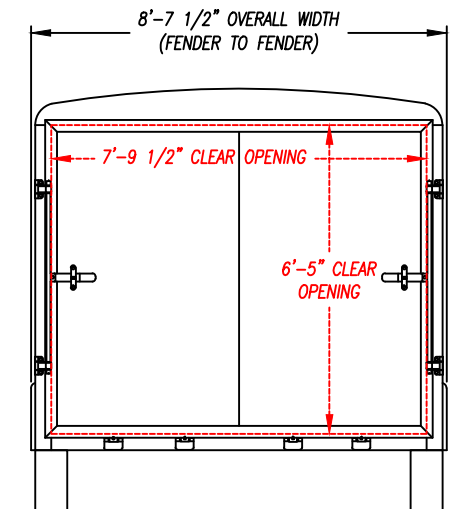
NOTE: ALL DIMENSIONS ARE  
NOMINAL & SUBJECT TO CHANGE

SIDE VIEW

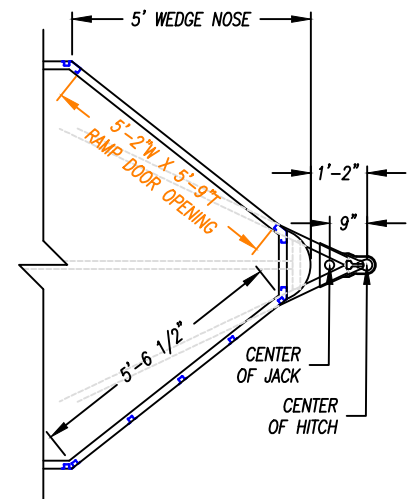


NOTE: ALL DIMENSIONS FROM  
GROUND ARE APPROX. & BASED  
ON 225/75 15" TIRES & RIMS

REAR VIEW



TOP VIEW -  
HITCH AREA



DESCRIPTION - UC-8.531TA

DRAWN BY - JAH DATE - 4/10/19

THIS DOCUMENT AND THE CONCEPTS INCORPORATED IS THE PROPERTY OF UNITED TRAILERS INC. AND IS NOT TO BE USED IN WHOLE OR IN PART FOR ANY OTHER PROJECT WITHOUT WRITTEN PERMISSION OF UNITED TRAILERS INC.