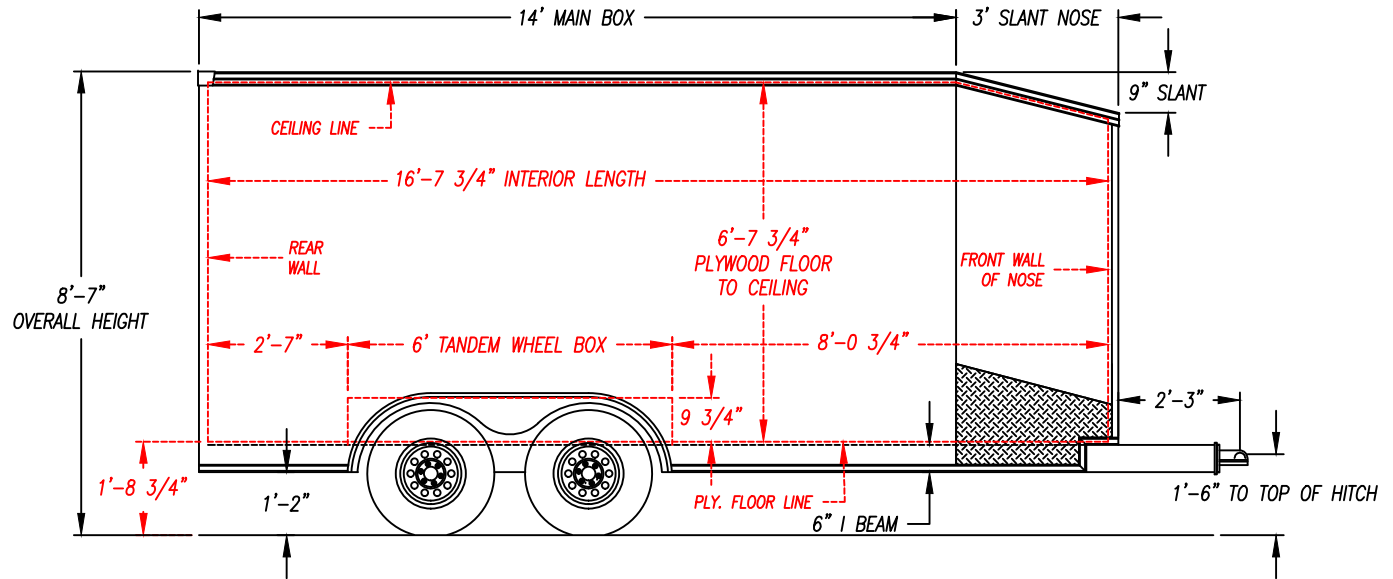


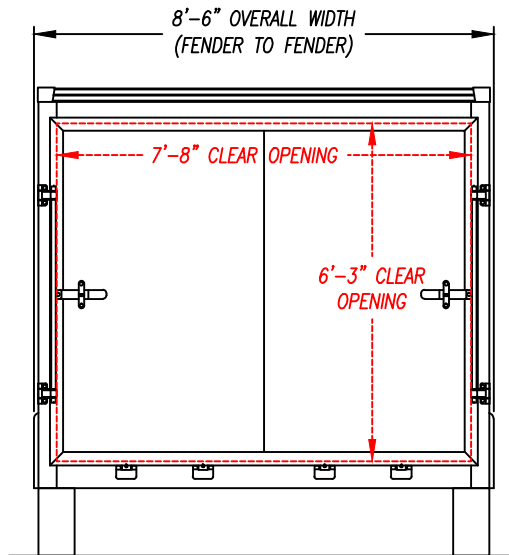
NOTE: ALL DIMENSIONS ARE
NOMINAL & SUBJECT TO CHANGE

SIDE VIEW

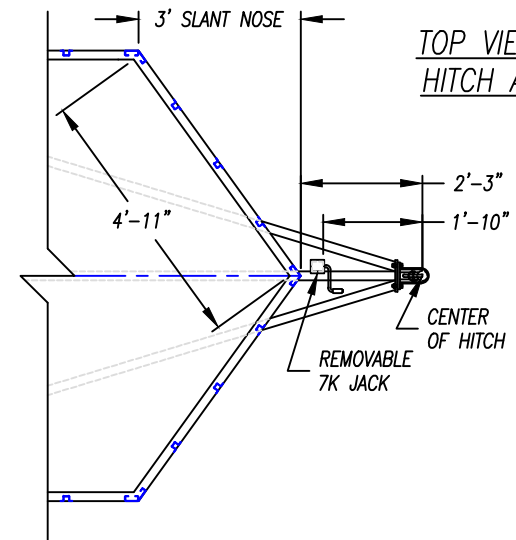


NOTE: ALL DIMENSIONS FROM
GROUND ARE APPROX. & BASED
ON 225/75 15" TIRES & RIMS

REAR VIEW



TOP VIEW -
HITCH AREA



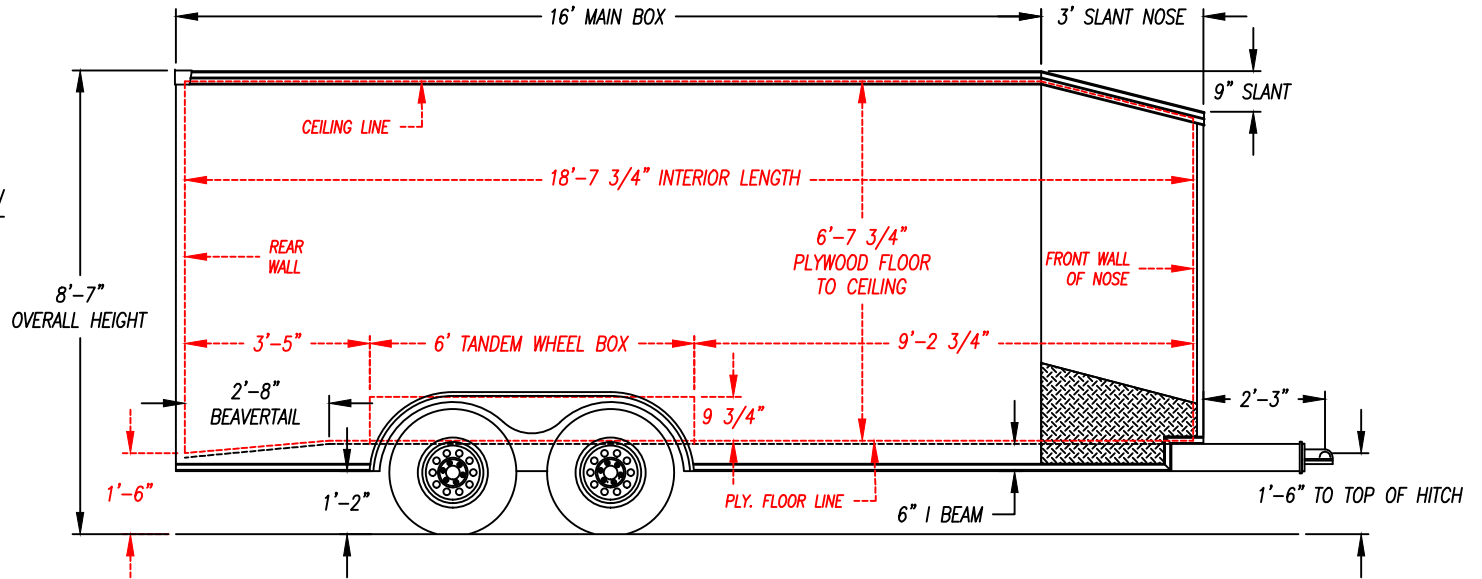
DESCRIPTION - XLTV-8.517TA - SLANT NOSE

DRAWN BY - JAH DATE - 3/18/19

THIS DOCUMENT AND THE CONCEPTS INCORPORATED IS THE PROPERTY OF UNITED TRAILERS INC. AND IS NOT TO BE USED IN WHOLE OR IN PART FOR ANY OTHER PROJECT WITHOUT WRITTEN PERMISSION OF UNITED TRAILERS INC.

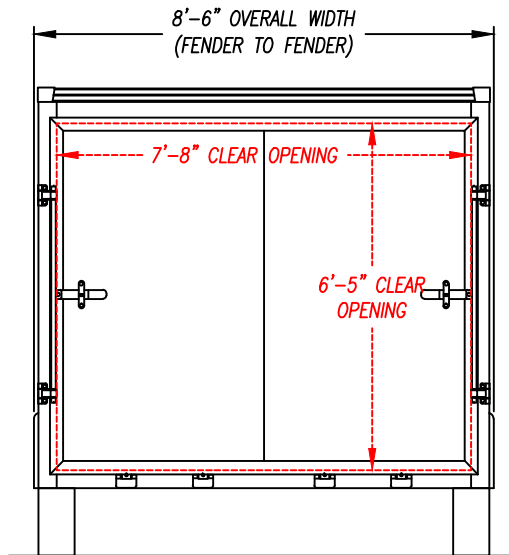
NOTE: ALL DIMENSIONS ARE
NOMINAL & SUBJECT TO CHANGE

SIDE VIEW

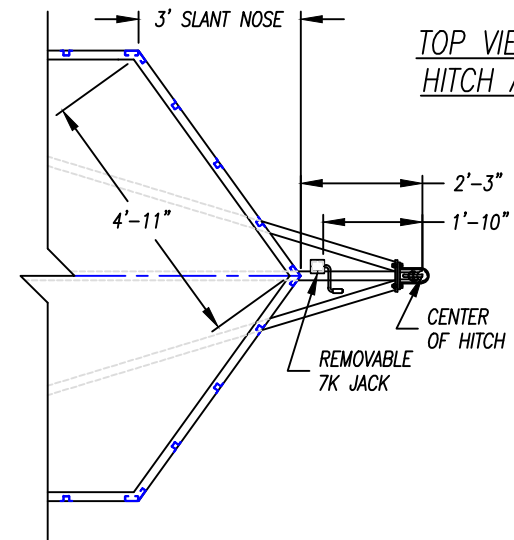


NOTE: ALL DIMENSIONS FROM
GROUND ARE APPROX. & BASED
ON 225/75 15" TIRES & RIMS

REAR VIEW



TOP VIEW -
HITCH AREA



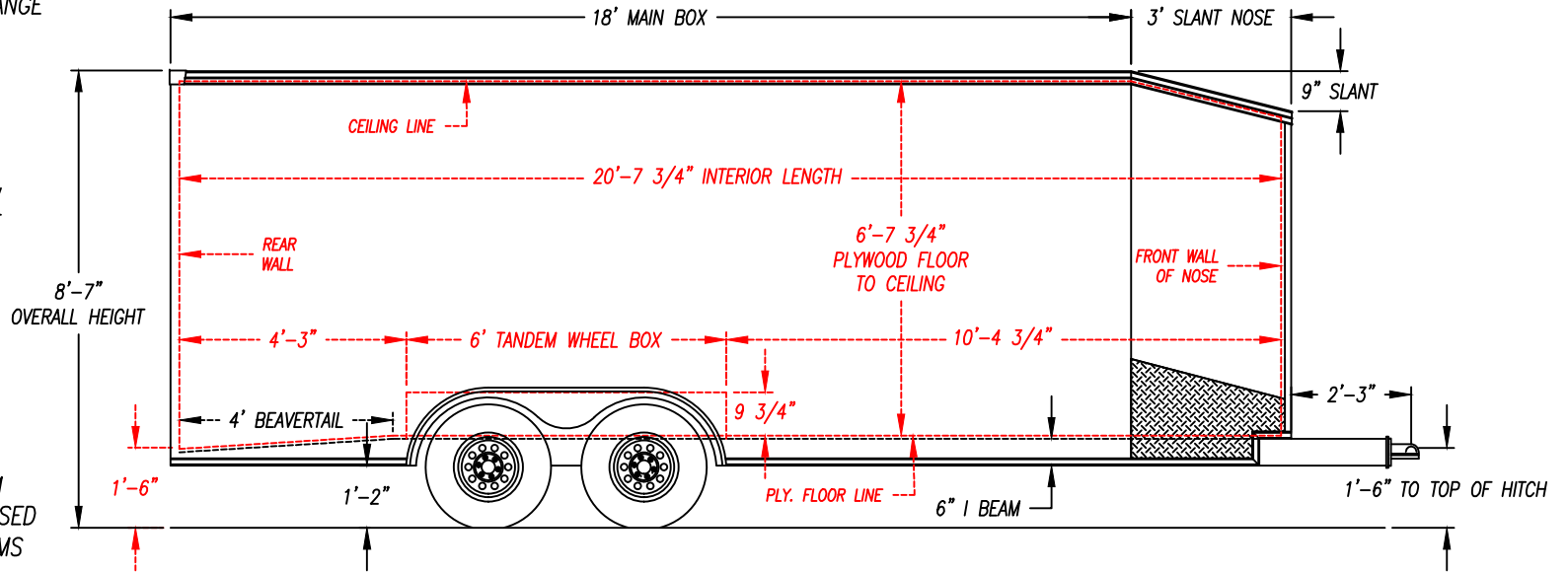
DESCRIPTION - XLTV-8.519TA - SLANT NOSE

DRAWN BY - JAH DATE - 3/18/19

THIS DOCUMENT AND THE CONCEPTS INCORPORATED IS THE PROPERTY OF UNITED TRAILERS INC. AND IS NOT TO BE USED IN WHOLE OR IN PART FOR ANY OTHER PROJECT WITHOUT WRITTEN PERMISSION OF UNITED TRAILERS INC.

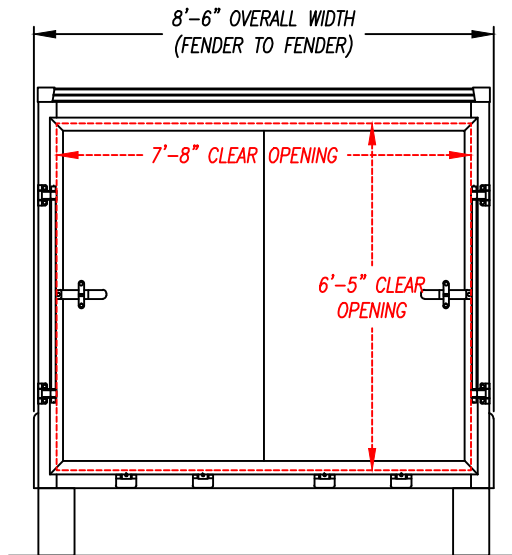
NOTE: ALL DIMENSIONS ARE NOMINAL & SUBJECT TO CHANGE

SIDE VIEW

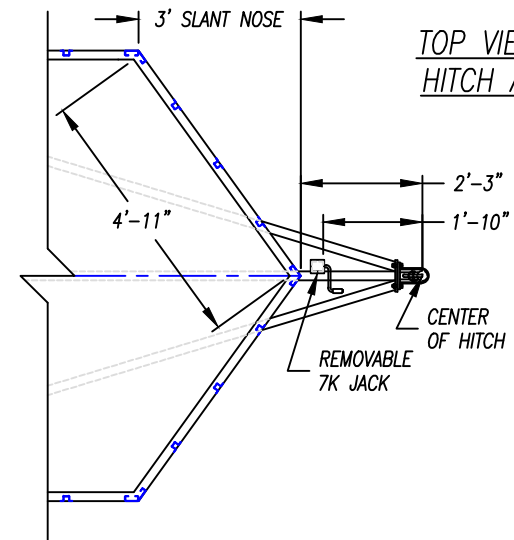


NOTE: ALL DIMENSIONS FROM GROUND ARE APPROX. & BASED ON 225/75 15" TIRES & RIMS

REAR VIEW



TOP VIEW - HITCH AREA



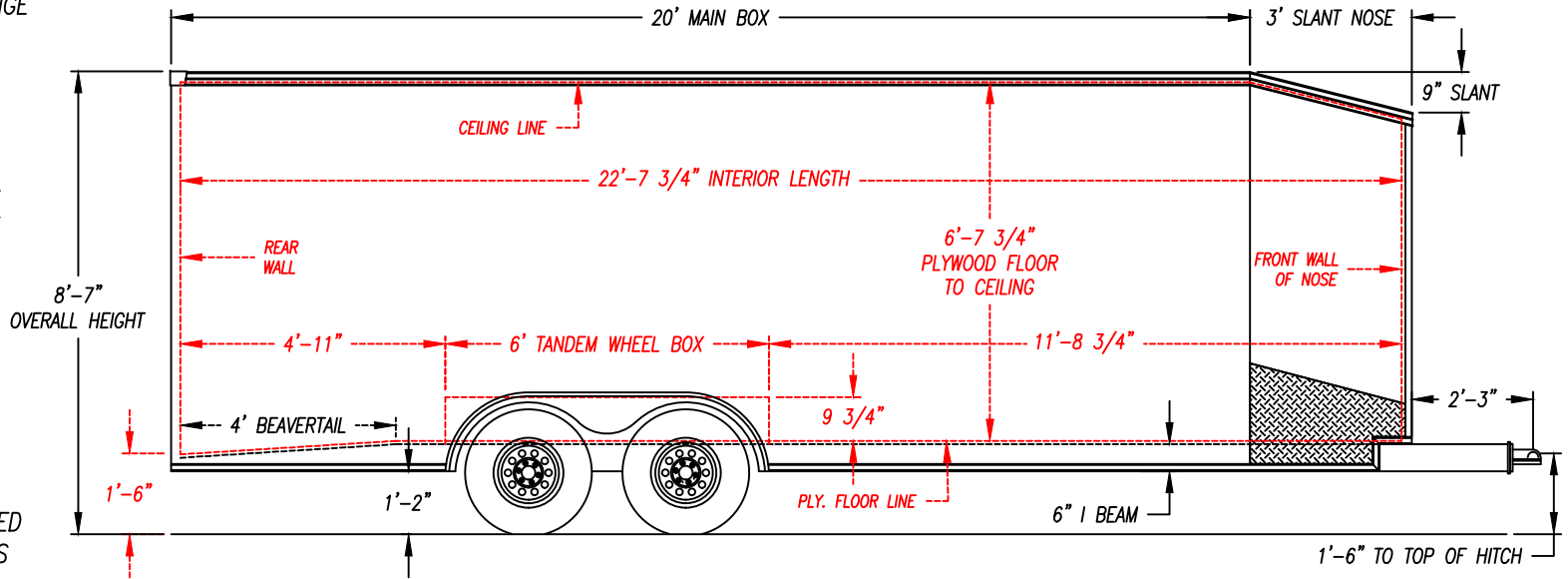
DESCRIPTION - XLTV-8.521TA - SLANT NOSE

DRAWN BY - JAH DATE - 3/18/19

THIS DOCUMENT AND THE CONCEPTS INCORPORATED IS THE PROPERTY OF UNITED TRAILERS INC. AND IS NOT TO BE USED IN WHOLE OR IN PART FOR ANY OTHER PROJECT WITHOUT WRITTEN PERMISSION OF UNITED TRAILERS INC.

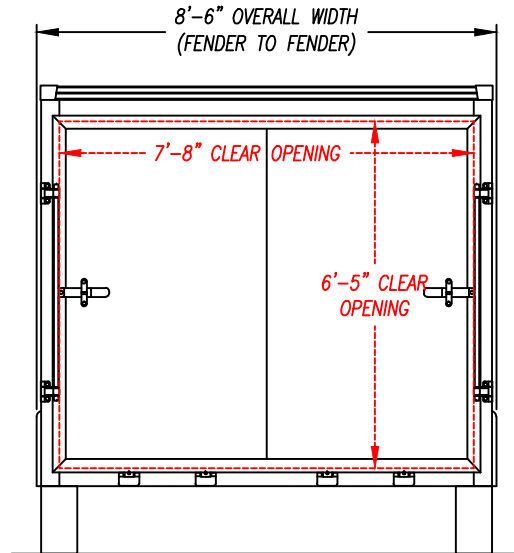
NOTE: ALL DIMENSIONS ARE NOMINAL & SUBJECT TO CHANGE

SIDE VIEW

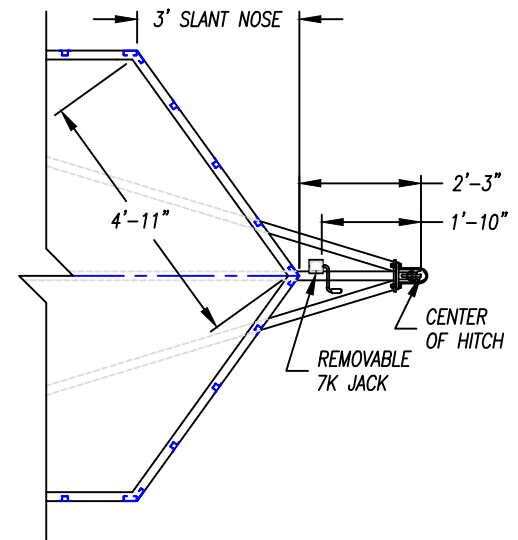


NOTE: ALL DIMENSIONS FROM GROUND ARE APPROX. & BASED ON 225/75 15" TIRES & RIMS

REAR VIEW



TOP VIEW - HITCH AREA



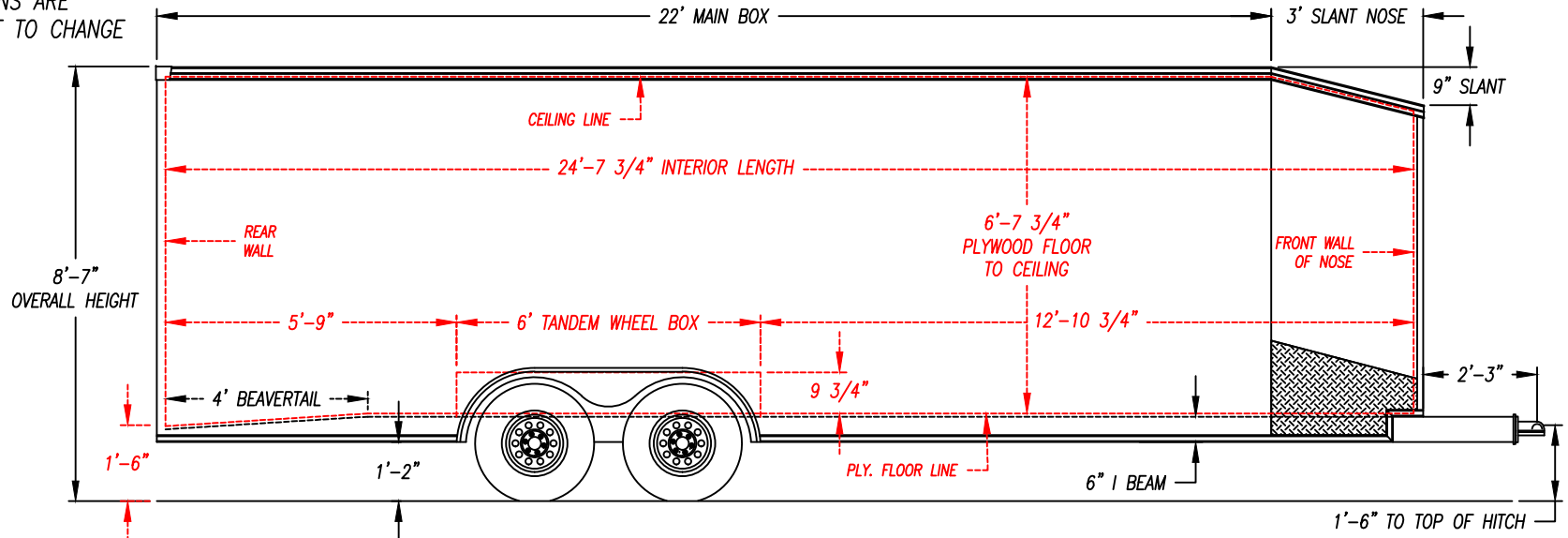
DESCRIPTION - XLTV-8.523TA - SLANT NOSE

DRAWN BY - JAH DATE - 3/18/19

THIS DOCUMENT AND THE CONCEPTS INCORPORATED IS THE PROPERTY OF UNITED TRAILERS INC. AND IS NOT TO BE USED IN WHOLE OR IN PART FOR ANY OTHER PROJECT WITHOUT WRITTEN PERMISSION OF UNITED TRAILERS INC.

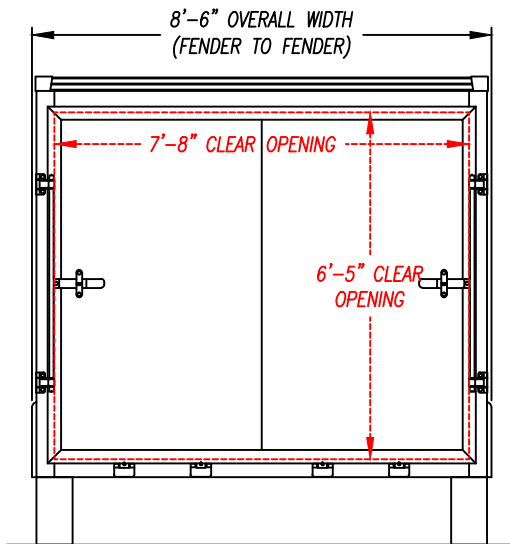
NOTE: ALL DIMENSIONS ARE NOMINAL & SUBJECT TO CHANGE

SIDE VIEW

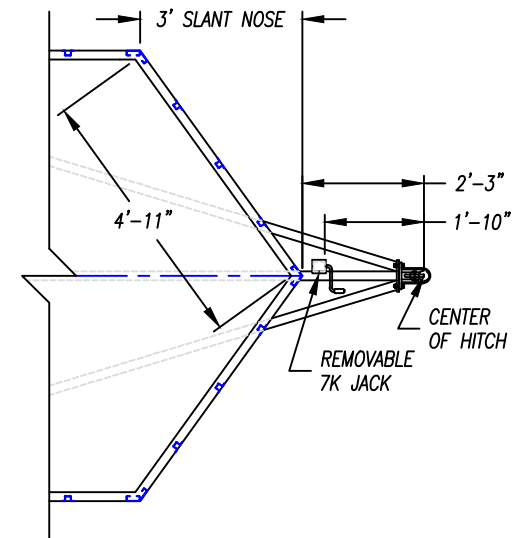


NOTE: ALL DIMENSIONS FROM GROUND ARE APPROX. & BASED ON 225/75 15" TIRES & RIMS

REAR VIEW



TOP VIEW - HITCH AREA



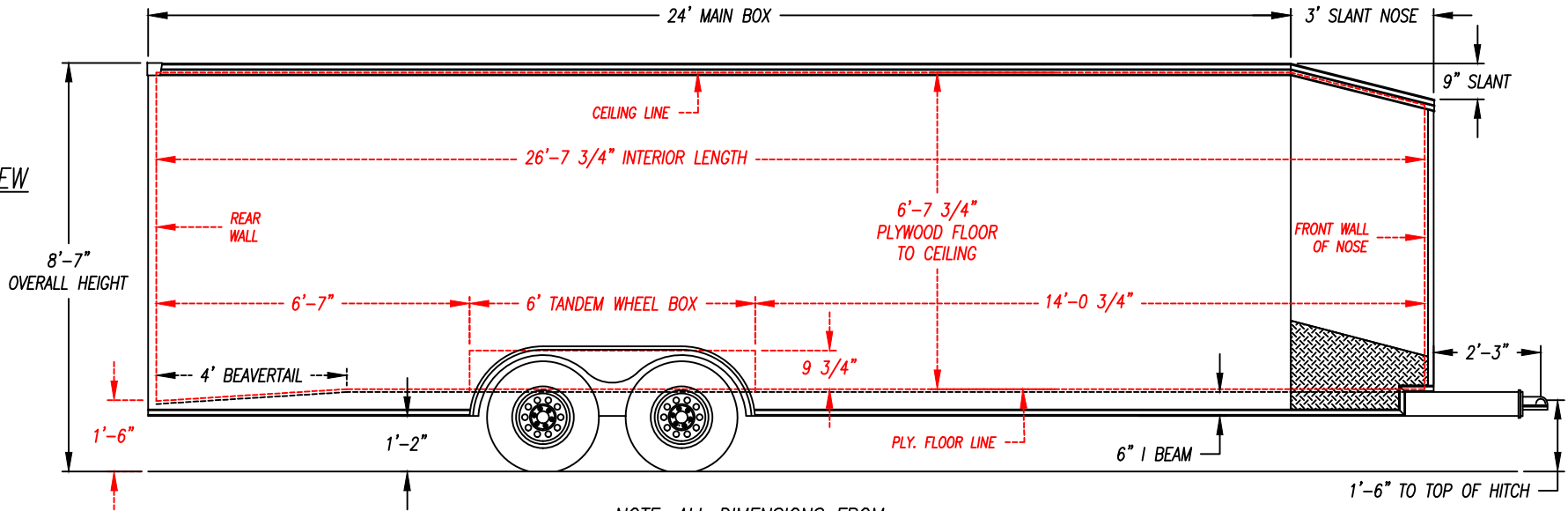
DESCRIPTION - XLTV-8.525TA - SLANT NOSE

DRAWN BY - JAH DATE - 3/18/19

THIS DOCUMENT AND THE CONCEPTS INCORPORATED IS THE PROPERTY OF UNITED TRAILERS INC. AND IS NOT TO BE USED IN WHOLE OR IN PART FOR ANY OTHER PROJECT WITHOUT WRITTEN PERMISSION OF UNITED TRAILERS INC.

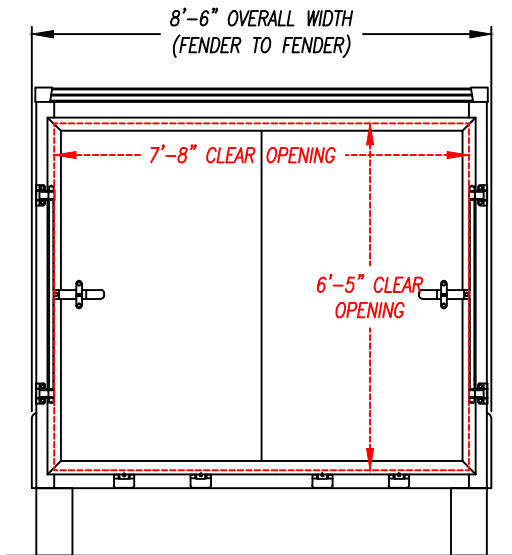
NOTE: ALL DIMENSIONS ARE
NOMINAL & SUBJECT TO CHANGE

SIDE VIEW

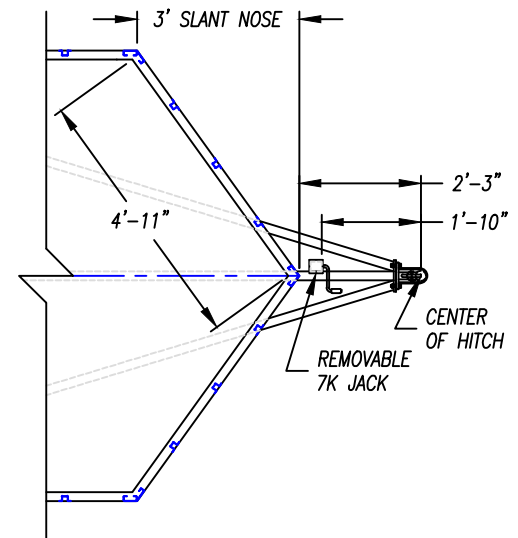


NOTE: ALL DIMENSIONS FROM
GROUND ARE APPROX. & BASED
ON 225/75 15" TIRES & RIMS

REAR VIEW



TOP VIEW - HITCH AREA

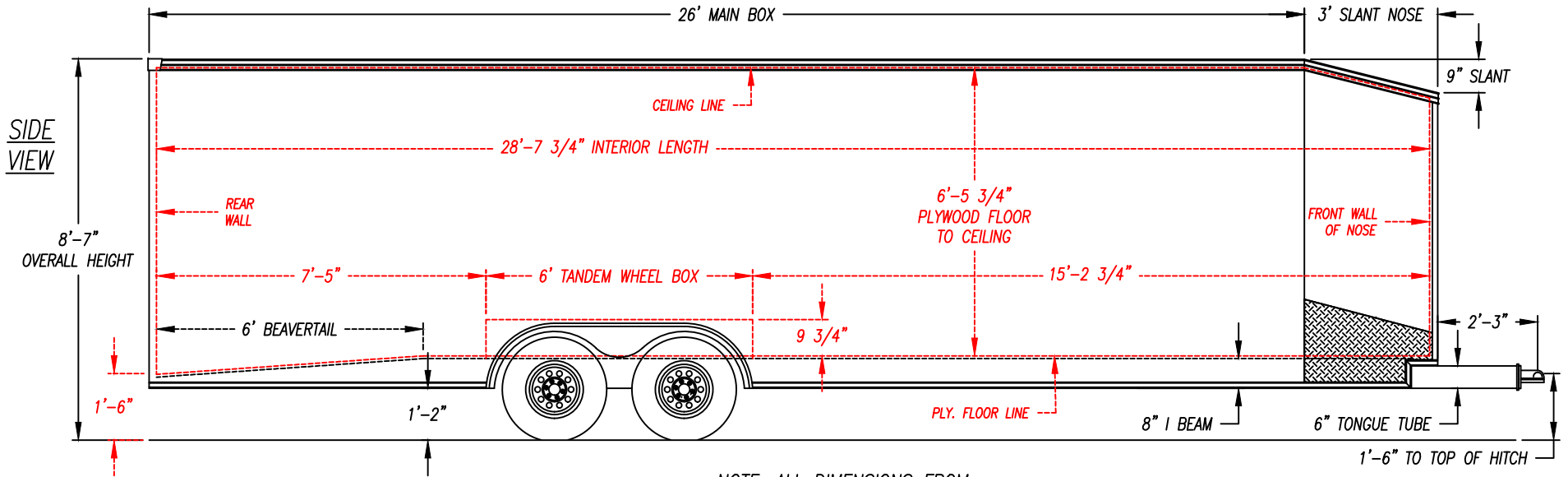


DESCRIPTION - XLTV-8.527TA - SLANT NOSE

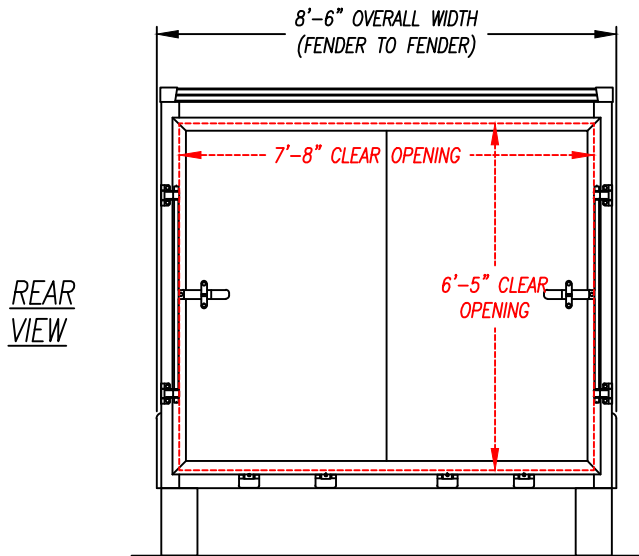
DRAWN BY - JAH DATE - 3/18/19

THIS DOCUMENT AND THE CONCEPTS INCORPORATED IS THE PROPERTY OF UNITED TRAILERS INC. AND IS NOT TO BE USED IN WHOLE OR IN PART FOR ANY OTHER PROJECT WITHOUT WRITTEN PERMISSION OF UNITED TRAILERS INC.

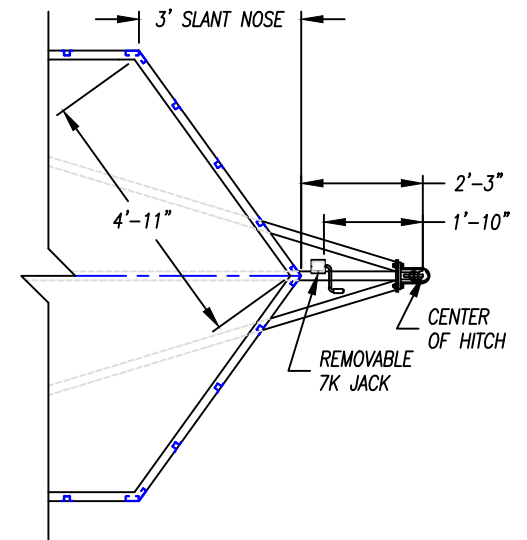
NOTE: ALL DIMENSIONS ARE
NOMINAL & SUBJECT TO CHANGE



NOTE: ALL DIMENSIONS FROM
GROUND ARE APPROX. & BASED
ON 225/75 15" TIRES & RIMS



TOP VIEW - HITCH AREA



DESCRIPTION - XLTV-8.529TA - SLANT NOSE

DRAWN BY - JAH DATE - 3/18/19

THIS DOCUMENT AND THE CONCEPTS INCORPORATED IS THE PROPERTY OF UNITED TRAILERS INC. AND IS NOT TO BE USED IN WHOLE OR IN PART FOR ANY OTHER PROJECT WITHOUT WRITTEN PERMISSION OF UNITED TRAILERS INC.