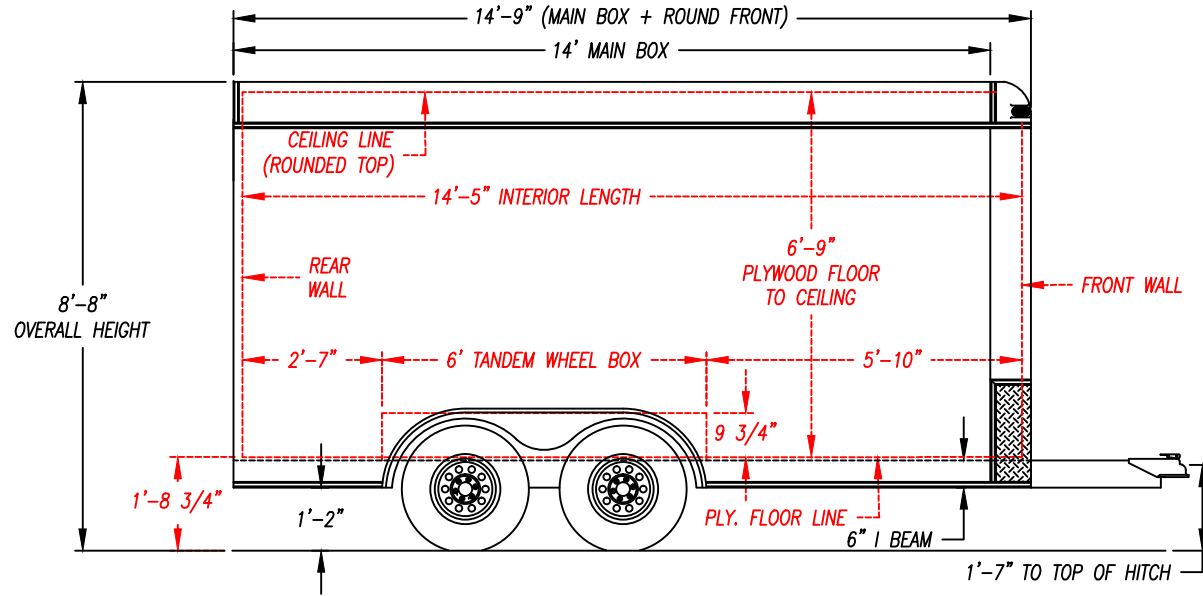


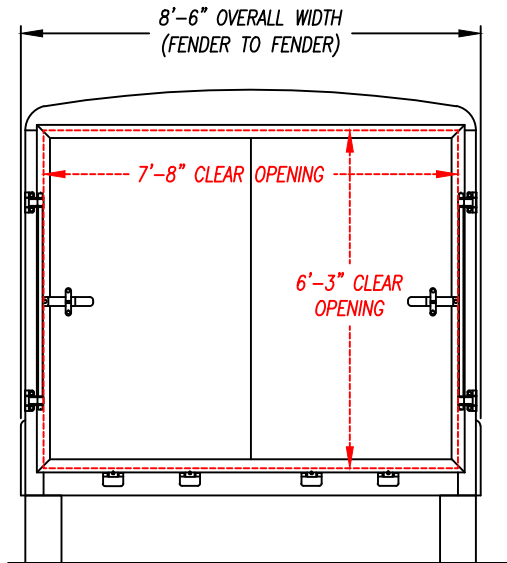
NOTE: ALL DIMENSIONS ARE  
NOMINAL & SUBJECT TO CHANGE

SIDE VIEW



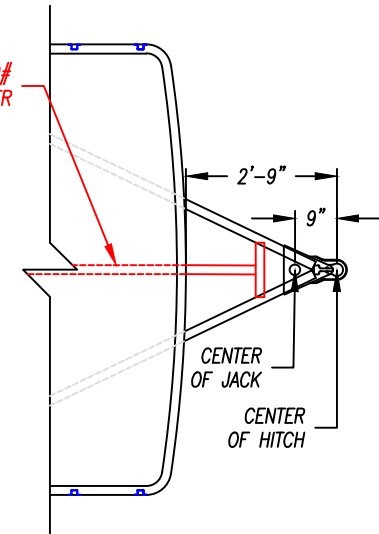
NOTE: ALL DIMENSIONS FROM  
GROUND ARE APPROX. & BASED  
ON 225/75 15" TIRES & RIMS

REAR VIEW



THIRD MEMBER REQ'D WHEN 4900#  
AXLES, OR MORE, ARE ON TRAILER

TOP VIEW -  
HITCH AREA



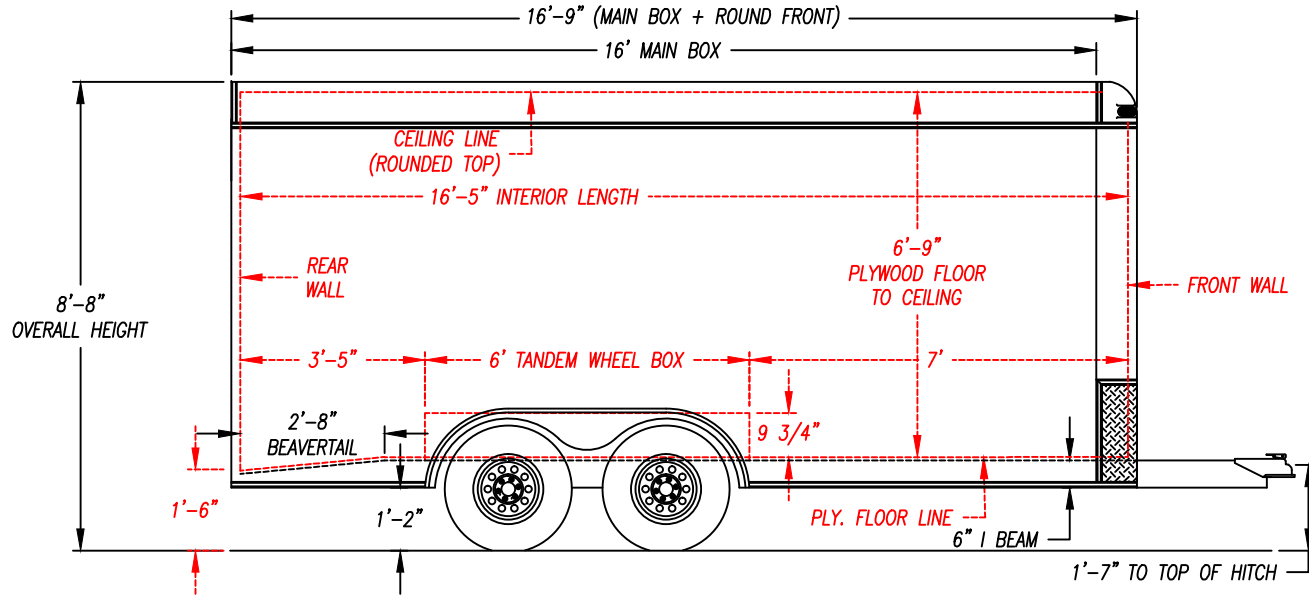
DESCRIPTION -  
ULT-8.514TA

DRAWN BY - JAH DATE - 4/3/19

THIS DOCUMENT AND THE CONCEPTS INCORPORATED IS THE PROPERTY OF UNITED TRAILERS INC. AND IS NOT TO BE USED IN WHOLE OR IN PART FOR ANY OTHER PROJECT WITHOUT WRITTEN PERMISSION OF UNITED TRAILERS INC.

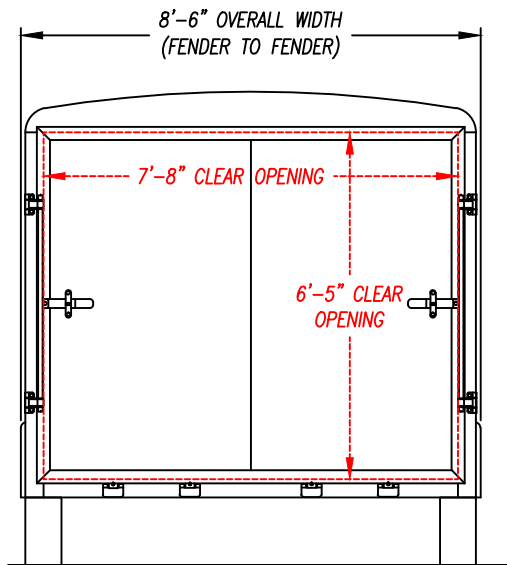
NOTE: ALL DIMENSIONS ARE  
NOMINAL & SUBJECT TO CHANGE

SIDE VIEW



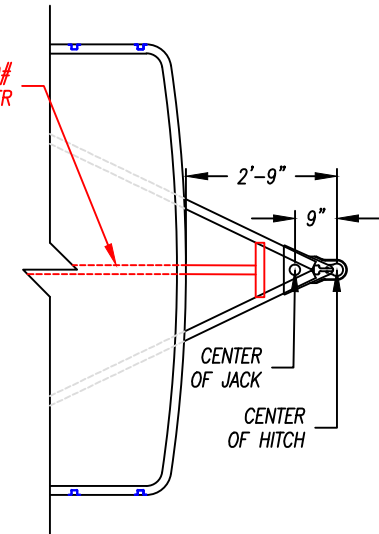
NOTE: ALL DIMENSIONS FROM  
GROUND ARE APPROX. & BASED  
ON 225/75 15" TIRES & RIMS

REAR VIEW



THIRD MEMBER REQ'D WHEN 4900#  
AXLES, OR MORE, ARE ON TRAILER

TOP VIEW -  
HITCH AREA



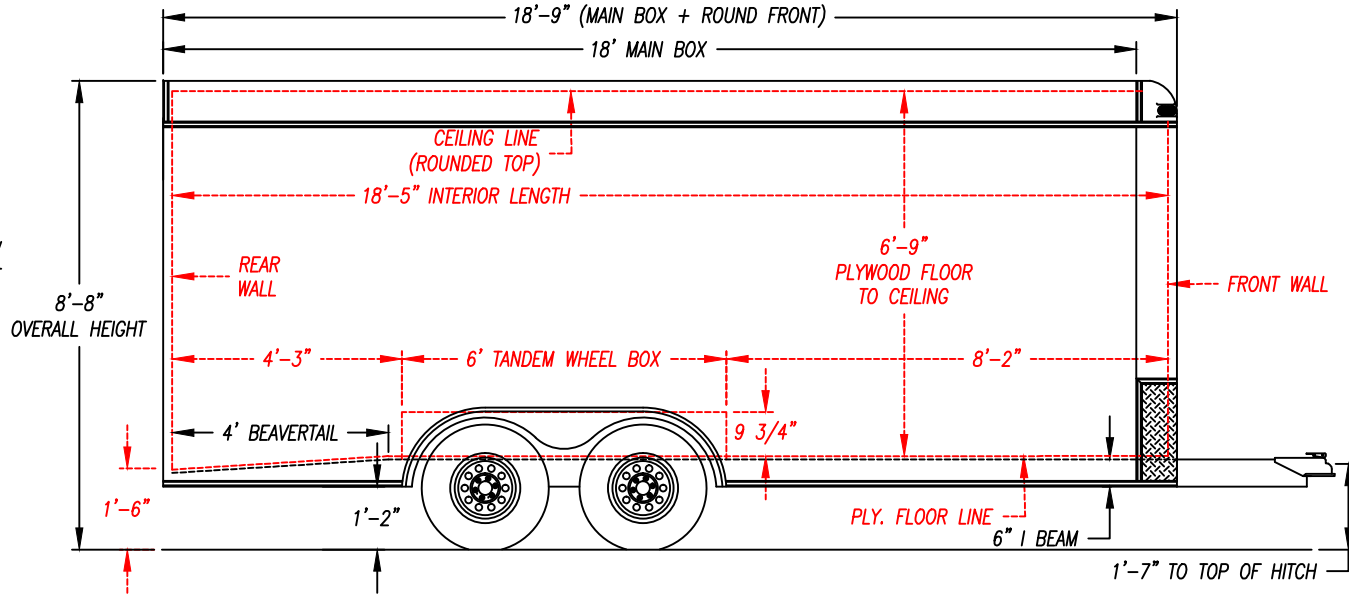
DESCRIPTION -  
ULT-8.516TA

DRAWN BY - JAH DATE - 4/3/19

THIS DOCUMENT AND THE CONCEPTS INCORPORATED IS THE PROPERTY OF UNITED TRAILERS INC. AND IS NOT TO BE USED IN WHOLE OR IN PART FOR ANY OTHER PROJECT WITHOUT WRITTEN PERMISSION OF UNITED TRAILERS INC.

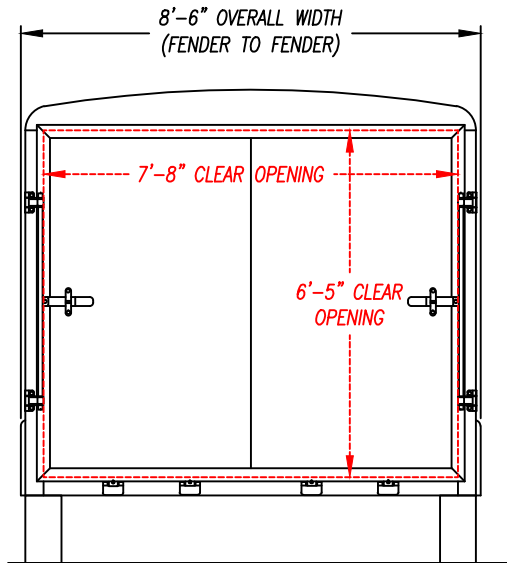
NOTE: ALL DIMENSIONS ARE  
NOMINAL & SUBJECT TO CHANGE

SIDE VIEW



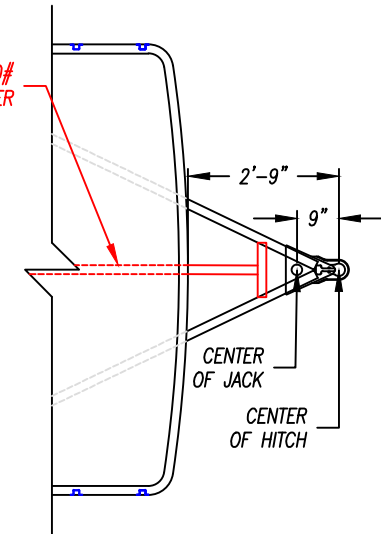
NOTE: ALL DIMENSIONS FROM  
GROUND ARE APPROX. & BASED  
ON 225/75 15" TIRES & RIMS

REAR VIEW



THIRD MEMBER REQ'D WHEN 4900#  
AXLES, OR MORE, ARE ON TRAILER

TOP VIEW -  
HITCH AREA



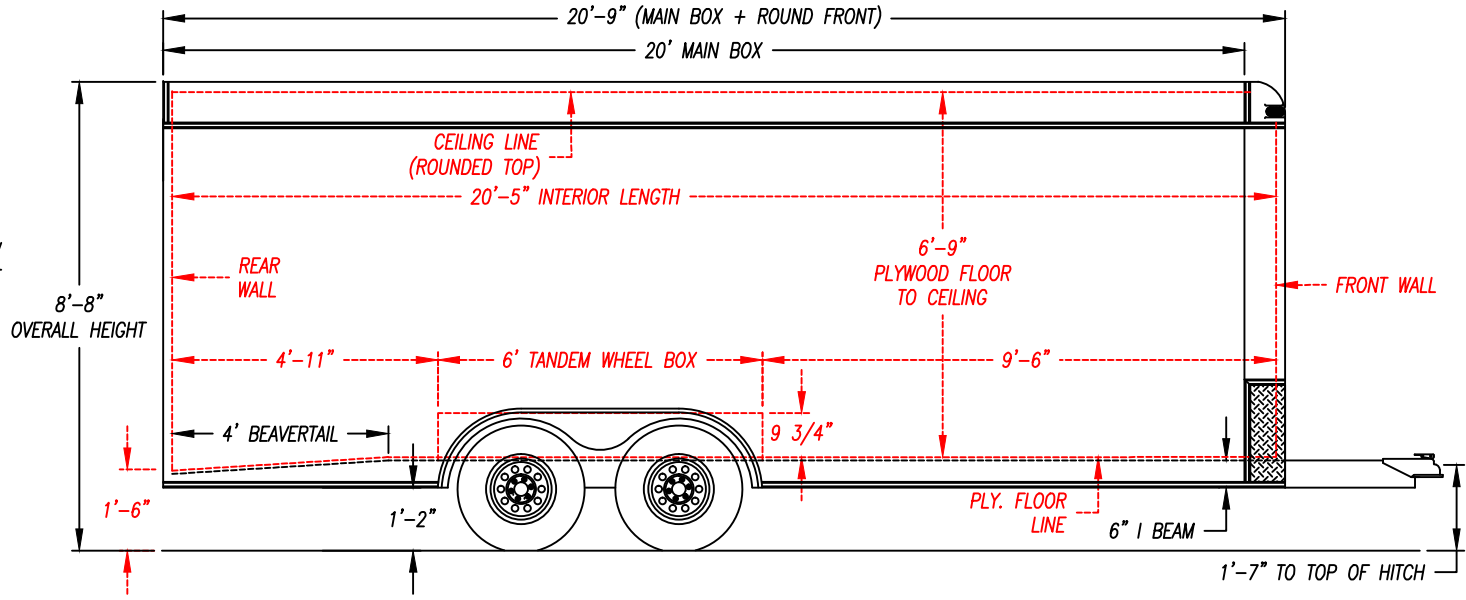
DESCRIPTION -  
ULT-8.518TA

DRAWN BY - JAH DATE - 4/3/19

THIS DOCUMENT AND THE CONCEPTS INCORPORATED IS THE PROPERTY OF UNITED TRAILERS INC. AND IS NOT TO BE USED IN WHOLE OR IN PART FOR ANY OTHER PROJECT WITHOUT WRITTEN PERMISSION OF UNITED TRAILERS INC.

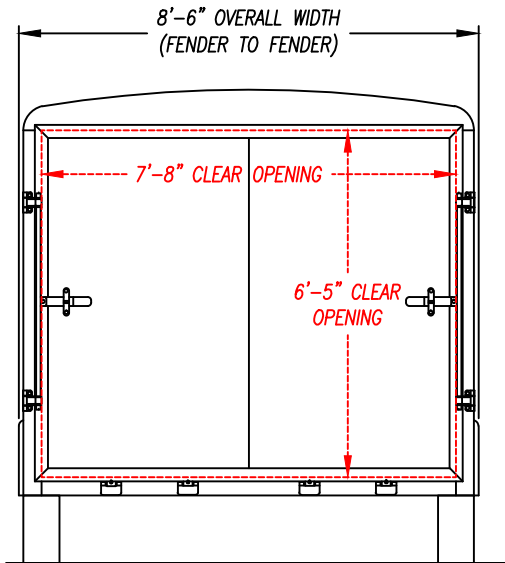
NOTE: ALL DIMENSIONS ARE NOMINAL & SUBJECT TO CHANGE

SIDE VIEW



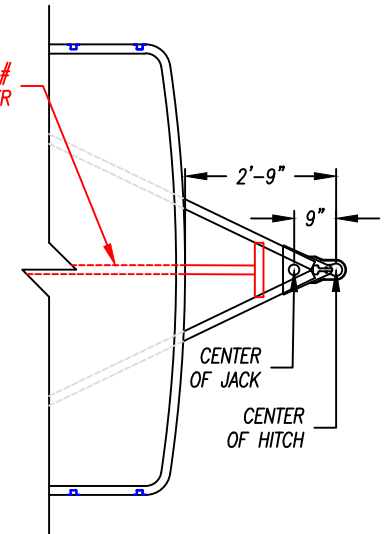
NOTE: ALL DIMENSIONS FROM GROUND ARE APPROX. & BASED ON 225/75 15" TIRES & RIMS

REAR VIEW



THIRD MEMBER REQ'D WHEN 4900# AXLES, OR MORE, ARE ON TRAILER

TOP VIEW - HITCH AREA



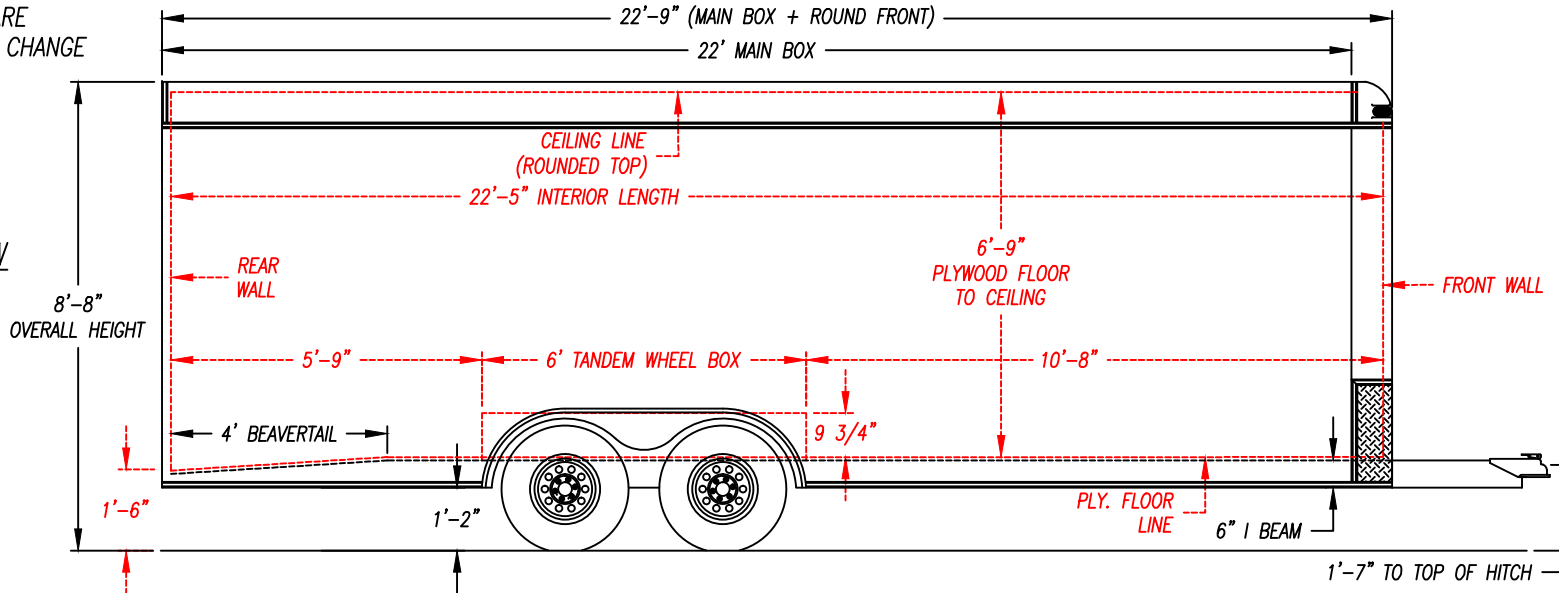
DESCRIPTION - ULT-8.520TA

DRAWN BY - JAH DATE - 4/3/19

THIS DOCUMENT AND THE CONCEPTS INCORPORATED IS THE PROPERTY OF UNITED TRAILERS INC. AND IS NOT TO BE USED IN WHOLE OR IN PART FOR ANY OTHER PROJECT WITHOUT WRITTEN PERMISSION OF UNITED TRAILERS INC.

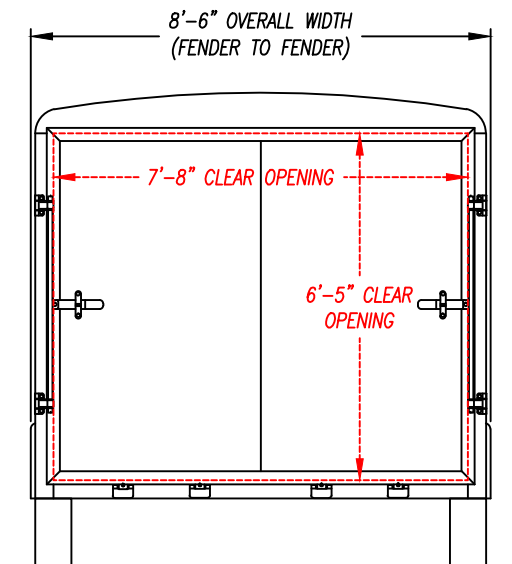
NOTE: ALL DIMENSIONS ARE NOMINAL & SUBJECT TO CHANGE

SIDE VIEW



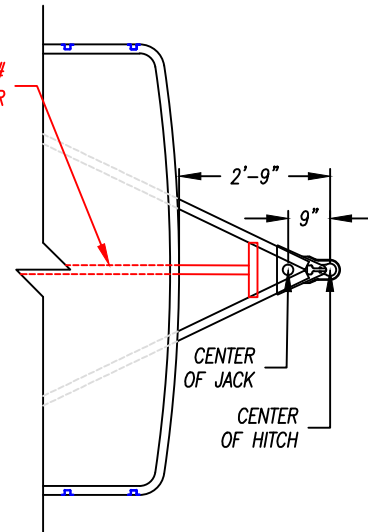
NOTE: ALL DIMENSIONS FROM GROUND ARE APPROX. & BASED ON 225/75 15" TIRES & RIMS

REAR VIEW



THIRD MEMBER REQ'D WHEN 4900# AXLES, OR MORE, ARE ON TRAILER

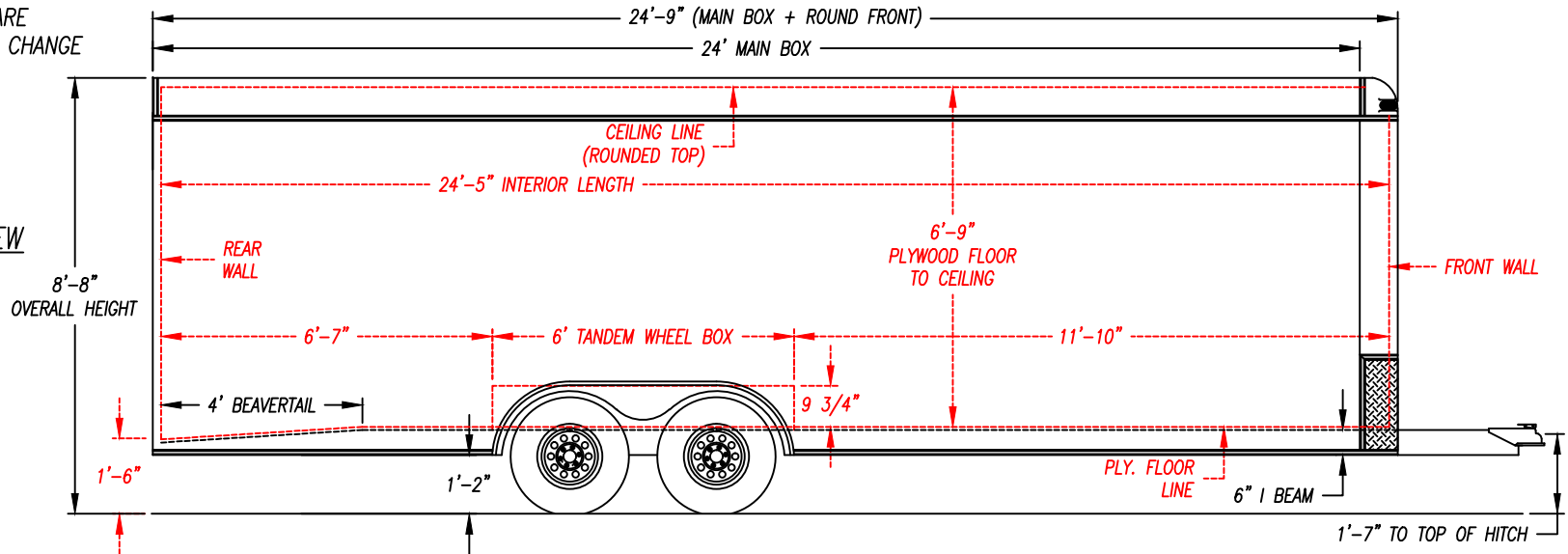
TOP VIEW - HITCH AREA



DESCRIPTION -		ULT-8.522TA	
DRAWN BY -	JAH	DATE -	4/3/19
THIS DOCUMENT AND THE CONCEPTS INCORPORATED IS THE PROPERTY OF UNITED TRAILERS INC. AND IS NOT TO BE USED IN WHOLE OR IN PART FOR ANY OTHER PROJECT WITHOUT WRITTEN PERMISSION OF UNITED TRAILERS INC..			

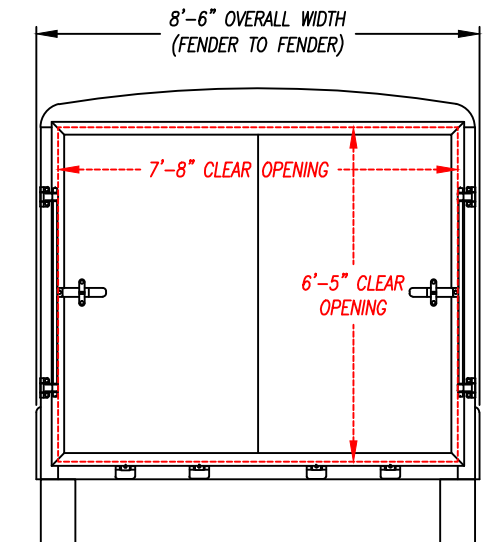
NOTE: ALL DIMENSIONS ARE NOMINAL & SUBJECT TO CHANGE

SIDE VIEW



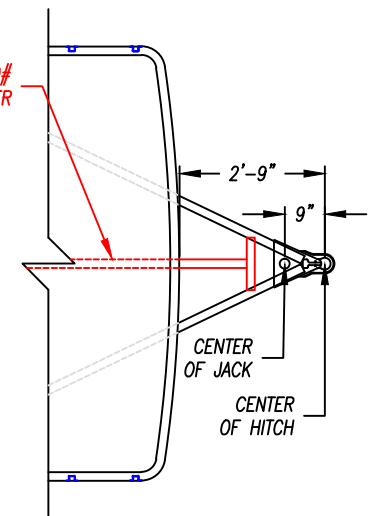
NOTE: ALL DIMENSIONS FROM GROUND ARE APPROX. & BASED ON 225/75 15" TIRES & RIMS

REAR VIEW



THIRD MEMBER REQ'D WHEN 4900# AXLES, OR MORE, ARE ON TRAILER

TOP VIEW - HITCH AREA



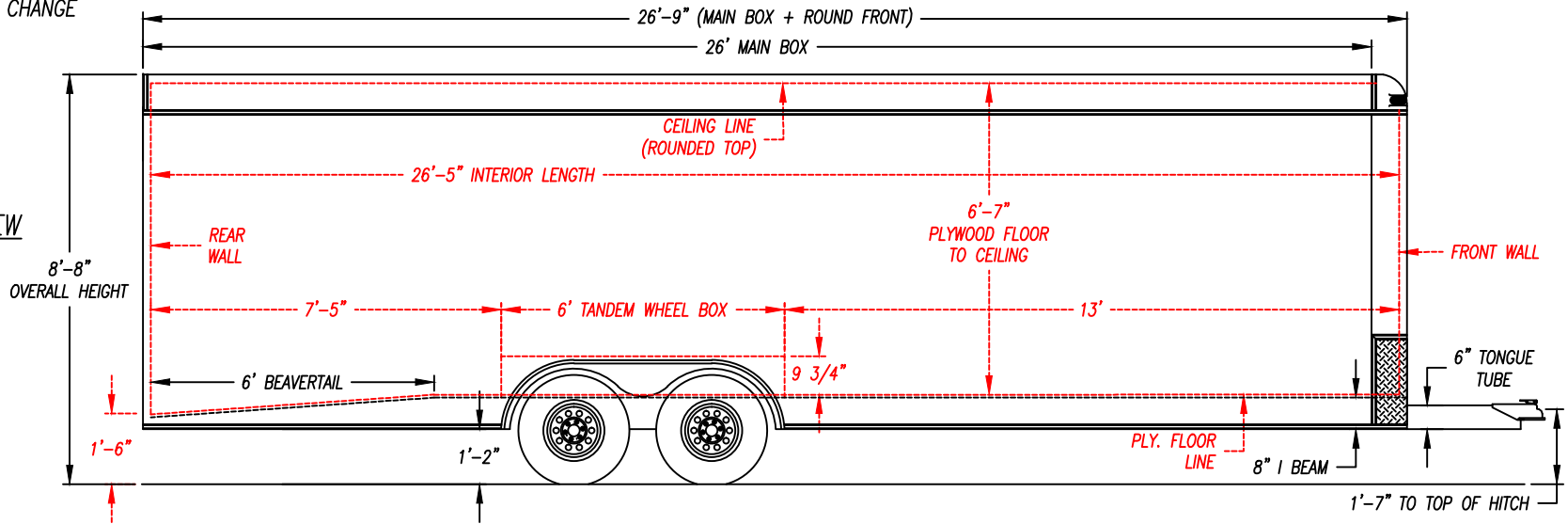
DESCRIPTION - ULT-8.524TA

DRAWN BY - JAH DATE - 4/3/19

THIS DOCUMENT AND THE CONCEPTS INCORPORATED IS THE PROPERTY OF UNITED TRAILERS INC. AND IS NOT TO BE USED IN WHOLE OR IN PART FOR ANY OTHER PROJECT WITHOUT WRITTEN PERMISSION OF UNITED TRAILERS INC.

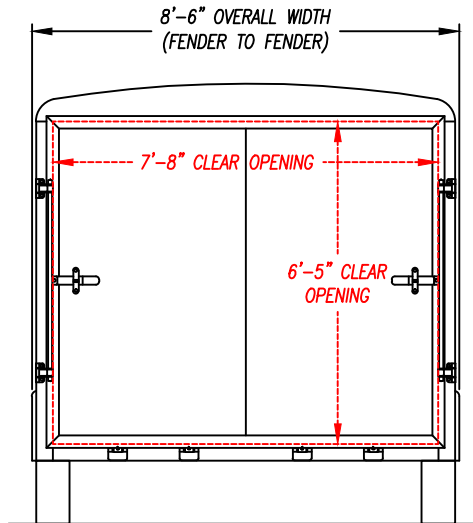
NOTE: ALL DIMENSIONS ARE  
NOMINAL & SUBJECT TO CHANGE

SIDE VIEW



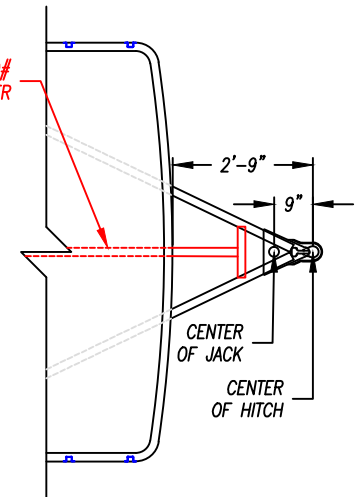
NOTE: ALL DIMENSIONS FROM  
GROUND ARE APPROX. & BASED  
ON 225/75 15" TIRES & RIMS

REAR VIEW



THIRD MEMBER REQ'D WHEN 4900#  
AXLES, OR MORE, ARE ON TRAILER

TOP VIEW -  
HITCH AREA

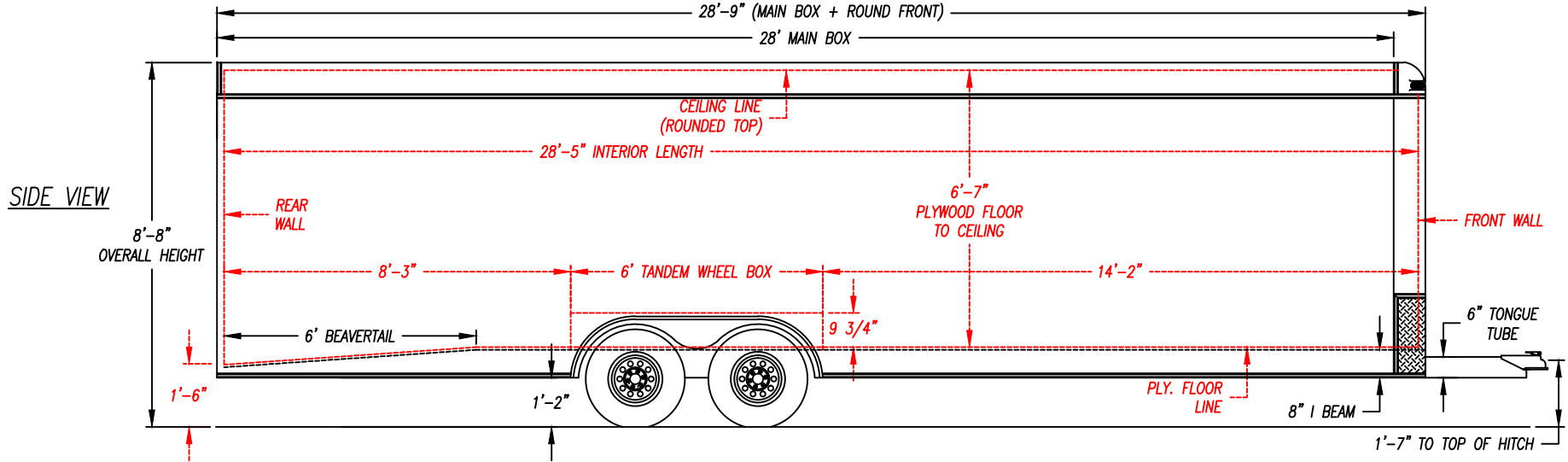


DESCRIPTION -  
ULT-8.526TA

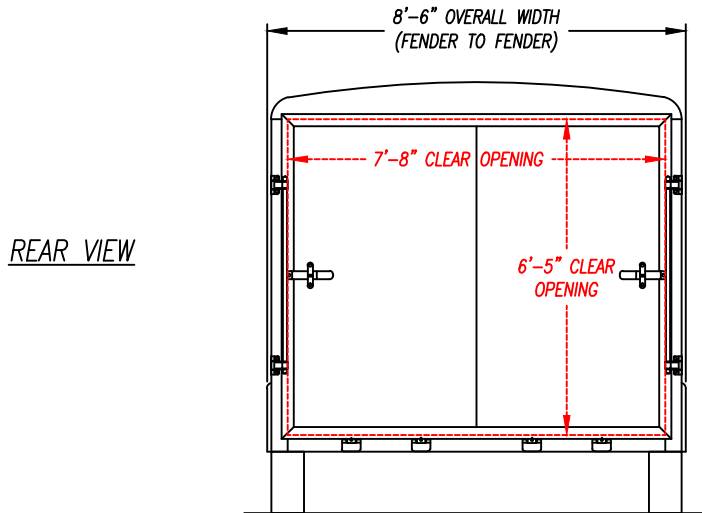
DRAWN BY - JAH      DATE - 4/3/19

THIS DOCUMENT AND THE CONCEPTS INCORPORATED IS THE PROPERTY OF UNITED TRAILERS INC. AND IS NOT TO BE USED IN WHOLE OR IN PART FOR ANY OTHER PROJECT WITHOUT WRITTEN PERMISSION OF UNITED TRAILERS INC.

NOTE: ALL DIMENSIONS ARE  
NOMINAL & SUBJECT TO CHANGE

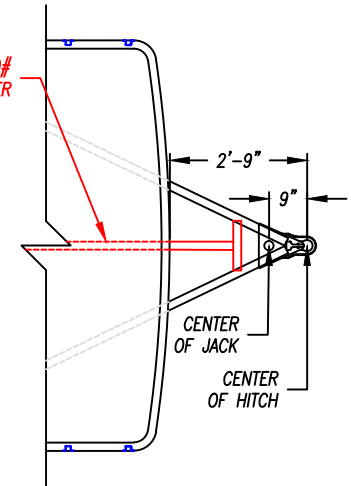


NOTE: ALL DIMENSIONS FROM  
GROUND ARE APPROX. & BASED  
ON 225/75 15" TIRES & RIMS



THIRD MEMBER REQ'D WHEN 4900#  
AXLES, OR MORE, ARE ON TRAILER

**TOP VIEW -  
HITCH AREA**



DESCRIPTION -  
ULT-8.528TA

DRAWN BY - JAH DATE - 4/3/19

THIS DOCUMENT AND THE CONCEPTS INCORPORATED IS THE PROPERTY OF UNITED TRAILERS INC. AND IS NOT TO BE USED IN WHOLE OR IN PART FOR ANY OTHER PROJECT WITHOUT WRITTEN PERMISSION OF UNITED TRAILERS INC.