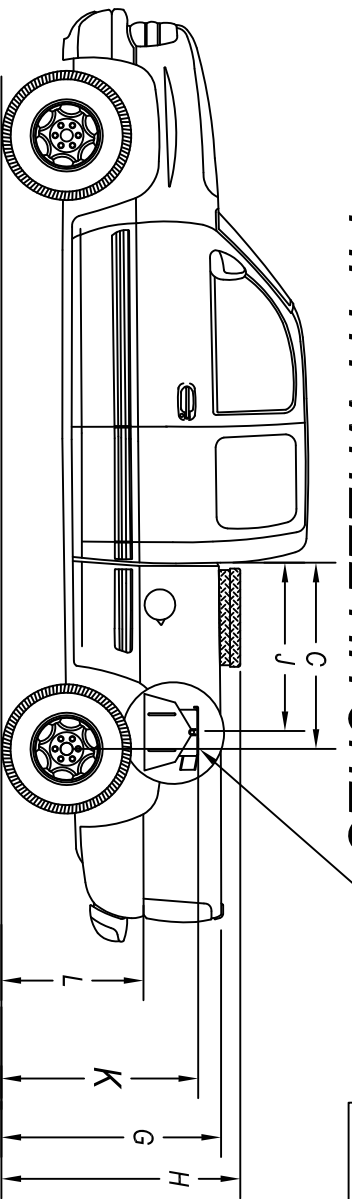
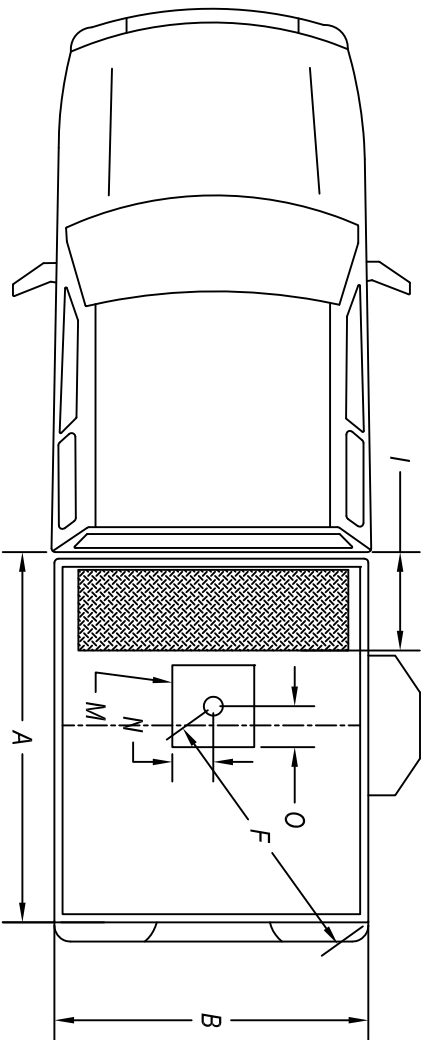
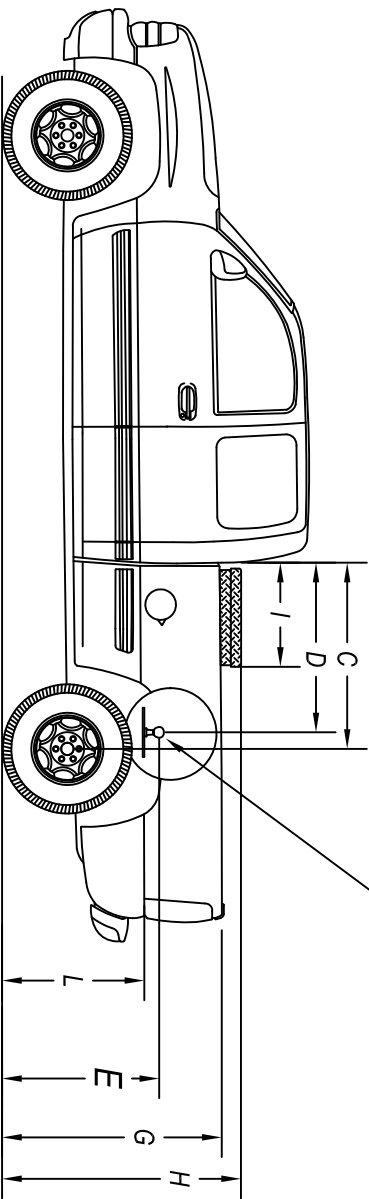


FIFTH-WHEEL HITCHES



GOOSENECK HITCHES



CONTACT
PHONE

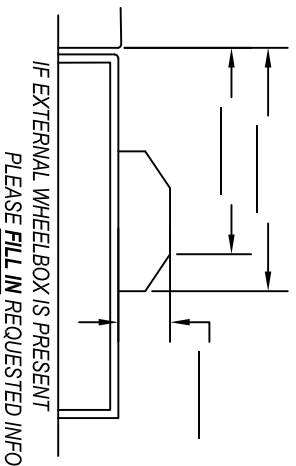
NOTE! ONLY ONE TRUCK CAN BE SUBMITTED. UNITED
CAN NOT GUARANTEE FIT TO MULTIPLE TRUCKS.

YEAR	
MAKE	
MODEL	

PLEASE CHECK REQUESTED INFORMATION

6' BOX	
8' BOX	
OTHER	

ADD'L DETAILS: _____



IF EXTERNAL WHEELBOX IS PRESENT
PLEASE FILL IN REQUESTED INFORMATION

A	BACK OF CAB TO BACK TO BED	
B	BED WIDTH	
C	BACK OF CAB TO CENTER OF AXLE	
D	BACK OF CAB TO CENTER OF BALL	
E	CENTER OF BALL - HEIGHT TO GROUND	
F	CENTER OF HITCH TO REAR CORNER OF BED	
G	TOP OF BOX (BED) TO GROUND	
H	ACCESSORY HEIGHT TO GROUND (BED RAILS ETC)	
I	BACK OF CAB TO END OF ACCESSORY	
J	BACK OF CAB TO CENTER OF PLATE	
K	TOP OF HITCH - HEIGHT TO GROUND	
L	GROUND TO BED FLOOR	
M	RECESS DEPTH	
N	CENTER OF BALL TO EDGE OF CUTOUT (IF RECESSED)	
O	CENTER OF BALL TO EDGE OF CUTOUT (IF RECESSED)	



TRUCK INFORMATION SHEET

THE REQUESTED INFORMATION IS VERY IMPORTANT. HELP US MAKE SURE THERE IS NO
INTERFERENCE BETWEEN THE TRUCK AND TRAILER
© 2016 United Trailers